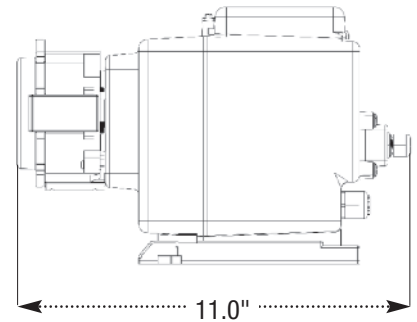
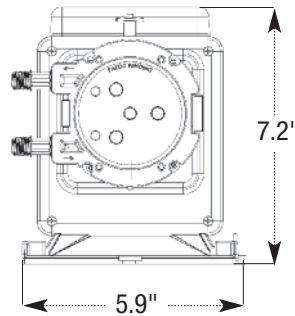


S SERIES SPECIFICATIONS

STENNER PUMPS®



SHIPPING WEIGHT 8lbs (3.7 kg)



THIS PUMP IS TESTED AND CERTIFIED BY IAPMO ACCORDING TO ANSI/NSF 61 FOR CONTACT WITH SODIUM HYPOCHLORITE AND WATER ONLY AND NSF/ANSI 372.

FEATURES

- Digital keypad with OLED display
- Tube leak detector
- Tube life timer
- Password protection
- Multiple operational modes
- Various performance indicators
- Tube replacement without tools with patent pending QuickPro® pump head
- Totally enclosed housing and outdoor rated
- Brushless DC motor with ball bearing support
- Switch mode power supply
- 3-point roller design assists in anti-siphon protection
- Self-priming against maximum working pressure, foot valve not required
- Pump does not lose prime or vapor lock
- Pumps off-gassing solutions and can run dry
- Output volume is not affected by back pressure
- Models (Santoprene® only) tested by IAPMO to conform to ANSI/NSF STD 61 & 372

S SERIES SPECIFICATIONS

FLOW RATE OUTPUT CONTROL

Varies per control mode; digital keypad

REPRODUCIBILITY ±2%

MAXIMUM WORKING PRESSURE

25 psi (1.7 bar), 100 psi (6.9 bar)

MAXIMUM OPERATING TEMPERATURE

104°F (40°C)

MAXIMUM SUCTION LIFT

25 ft (7.6 m) vertical lift, based on water

MOTOR TYPE Brushless DC motor

DUTY CYCLE Continuous

MOTOR VOLTAGE (Amp Draw)

120V 60Hz 1PH (0.6), 230V 50Hz 1PH (0.3)

POWER CORD TYPE

120V 60Hz SJTOWA, 230V 50Hz H05RNF

POWER CORD PLUG END

120V 60Hz 15P, 230V 50Hz CEE7/7, 230V 50Hz SEV1011

HALL EFFECT MAX. INPUT FREQUENCY

100 KHz

RPM Variable

RPM (Maximum) 45

RPM (Gradient) By %

The % sets the speed and is not 1 to 1 for RPM.

MAXIMUM ALTITUDE 6562 ft. (2000 m)

MAXIMUM VISCOSITY 1500 Centipoise

PULSE DURATION REQUIRED 10 milliseconds

Minimum duration required for pump to read signal.

MATERIALS OF CONSTRUCTION

All Housings Polycarbonate

Pump Tube & Check Valve Duckbill

Santoprene*, optional Versilon***, FDA approved

CV Duckbill with Versilon* Tube** Pellathane**†

Pump Head Rollers Polyethylene

Roller Bushings Oil impregnated sintered bronze

Suction/Discharge Tubing, Ferrules 1/4" & 6 mm Polyethylene, FDA approved

Tube Fittings, Injection Fittings

Type 1 Rigid PVC or Polypropylene, NSF Listed

Connecting Nuts

Type 1 Rigid PVC or Polypropylene

3/8" Adapter Type 1 Rigid PVC, NSF Listed

Suction Line Strainer Polypropylene or Type 1

Rigid PVC body with Type 1 Rigid PVC Cap,

NSF listed; ceramic weight

All Fasteners Stainless steel

Pump Head Latches Polypropylene

ACCESSORY KIT SHIPPED WITH EACH PUMP

3 Connecting nuts 1/4" or 3/8"

3 Ferrules 1/4" or 6 mm *Europe*

1 Injection check valve 100 psi (6.9 bar)
OR 1 injection fitting 25 psi (1.7 bar)

1 Weighted suction line strainer
1/4", 3/8" or 6 mm *Europe*

1 20' roll suction/discharge tubing
1/4" or 3/8", white or UV black

OR 6 mm white *Europe*

1 Additional pump tube

2 Additional latches

1 Mounting bracket

1 Quick Start Guide

* Santoprene® is a registered trademark of Exxon Mobil Corporation.

** Versilon® is a registered trademark of Saint-Gobain Performance Plastics.

† Pellathane® is a registered trademark of The Dow Company.

S SERIES - FLOW RATE OUTPUT CHART 25 psi (1.7 bar) maximum

Model	Pump Tube	Turndown Ratio	Gallons per Day	Liters per Day	Gallons per Hour	Liters per Hour	Ounces per Hour	Milliliters per Hour	Ounces per Minute	Milliliters per Minute
S3003	3	100:1	0.40 to 40	1.51 to 151	0.017 to 1.67	0.063 to 6.31	2.13 to 213	63.09 to 6309	0.036 to 3.56	1.05 to 105
S3004	4	100:1	0.60 to 60	2.27 to 227	0.025 to 2.50	0.095 to 9.46	3.20 to 320	94.64 to 9464	0.053 to 5.33	1.58 to 158
S3005	5	100:1	0.85 to 85	3.22 to 322	0.035 to 3.54	0.134 to 13.41	4.53 to 453	134.07 to 13407	0.076 to 7.56	2.23 to 223

Approximate Outputs @ 50/60Hz

S SERIES - FLOW RATE OUTPUT CHART 100 psi (6.9 bar) maximum

Model	Pump Tube	Turndown Ratio	Gallons per Day	Liters per Day	Gallons per Hour	Liters per Hour	Ounces per Hour	Milliliters per Hour	Ounces per Minute	Milliliters per Minute
S3001	1	100:1	0.05 to 5	0.19 to 19	0.002 to 0.21	0.008 to 0.79	0.27 to 27	7.89 to 789	0.004 to 0.44	0.13 to 13
S3002	2	100:1	0.17 to 17	0.64 to 64	0.007 to 0.71	0.027 to 2.68	0.91 to 91	26.81 to 2681	0.015 to 1.51	0.45 to 45
S3007	7	100:1	0.40 to 40	1.51 to 151	0.017 to 1.67	0.063 to 6.31	2.13 to 213	63.09 to 6309	0.036 to 3.56	1.05 to 105

Approximate Outputs @ 50/60Hz

NOTE: Injection check valve included with pumps rated 100 psi (6.9 bar) maximum.

NOTICE: The information within this chart is solely intended for use as a guide. The output data is an approximation based on pumping water under a controlled testing environment. Many variables can affect the output of the pump. Stenner Pump Company recommends that all metering pumps undergo field calibration by means of analytical testing to confirm their outputs. The information contained in this flyer is not intended for specific application purposes. Stenner Pump Company reserves the right to make changes to prices, products, and specifications at any time without prior notice.