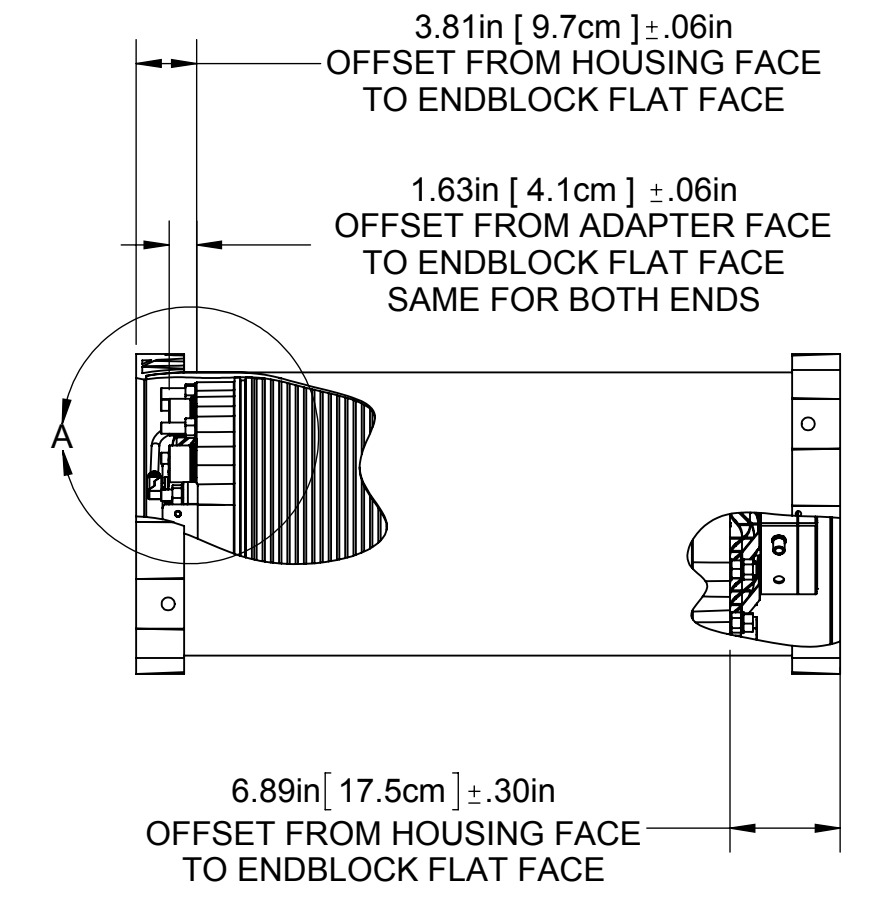
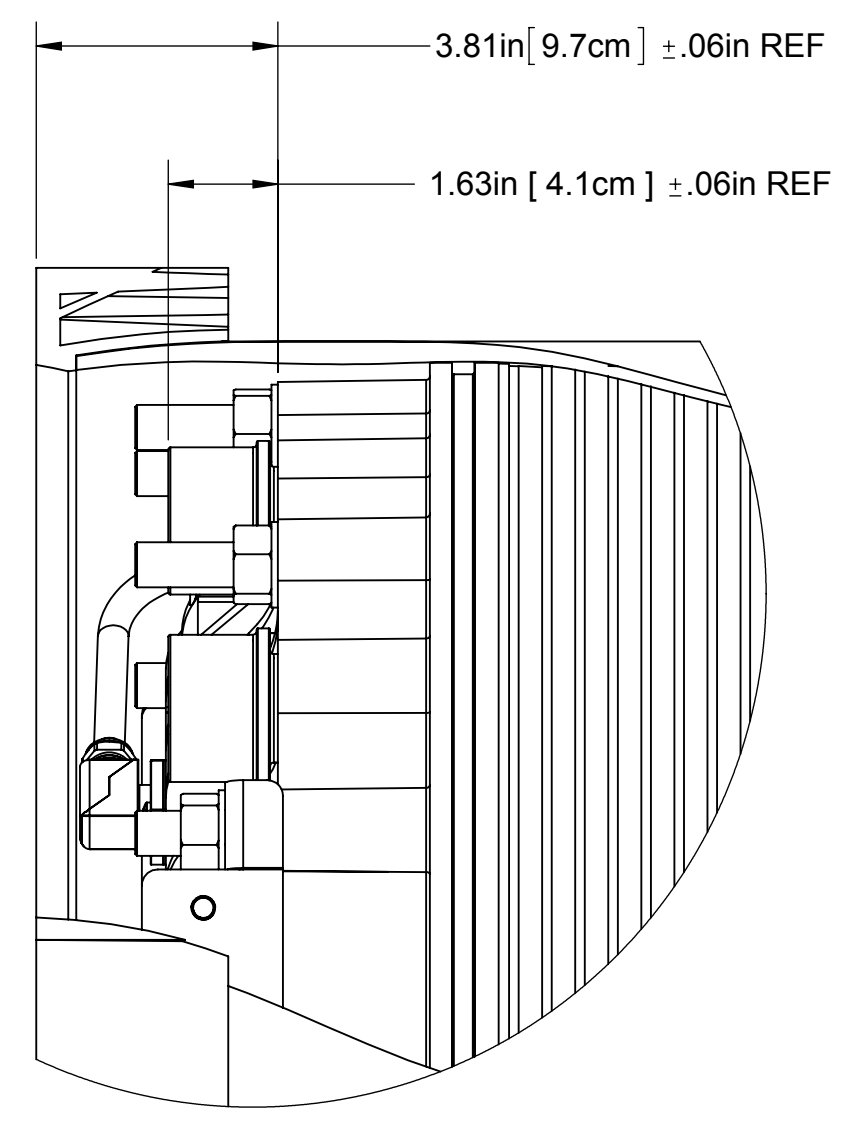


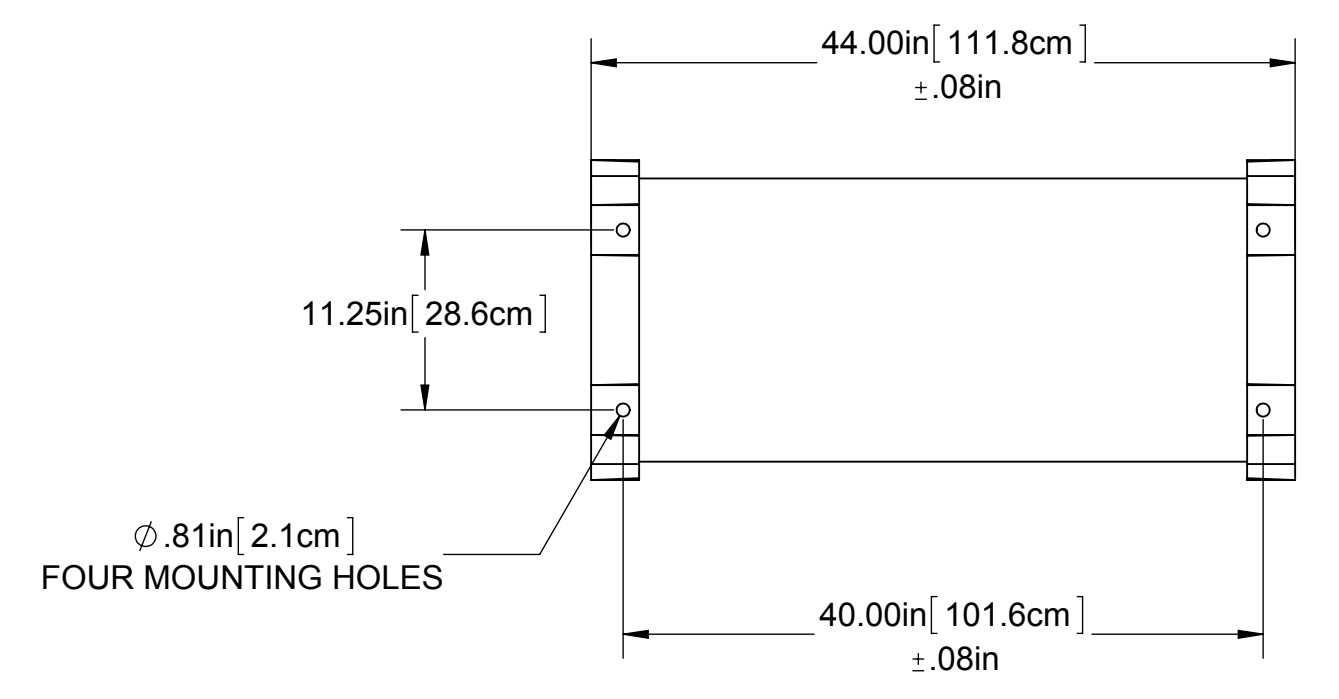
NON JUNCTION BOX END



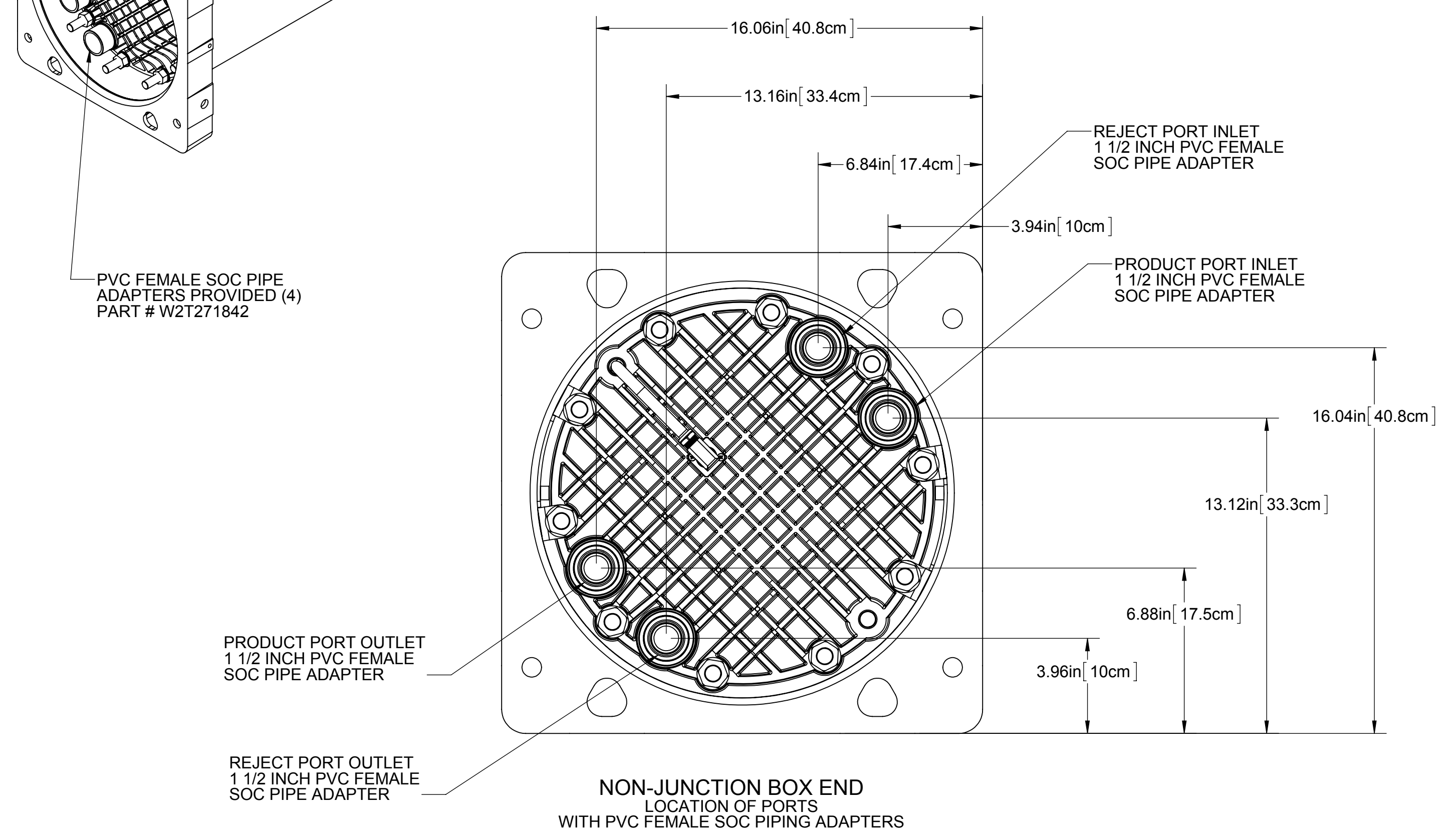
SIDE VIEW



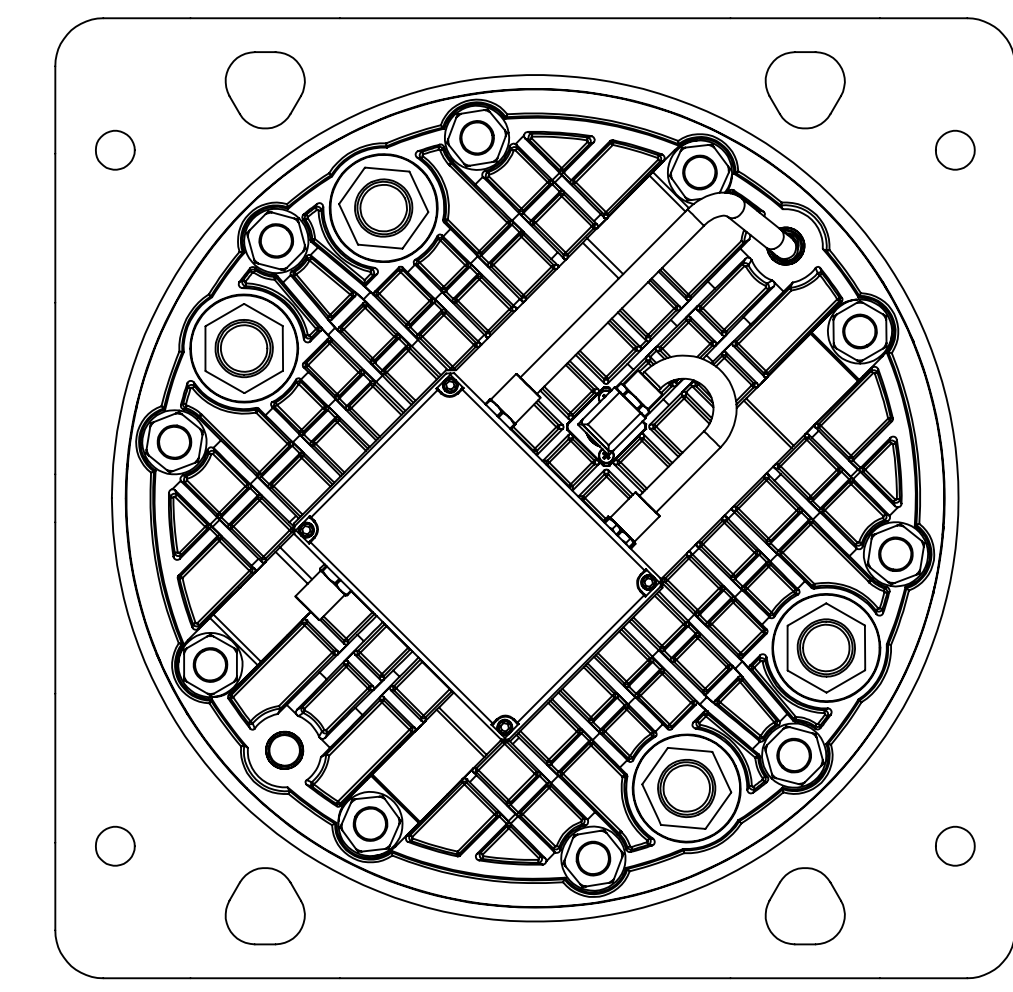
DETAIL A
SCALE 1:3
SHOWING ENDBLOCK AND ADAPTER OFFSET



BOTTOM VIEW
SHOWING LOCATION OF AVAILABLE MOUNTING HOLES



NON-JUNCTION BOX END
LOCATION OF PORTS
WITH PVC FEMALE SOC PIPING ADAPTERS



JUNCTION BOX END
LOCATION OF PORTS
WITH PVC PIPING PLUGS

<p>ALL DIMENSIONS ARE IN INCHES OR DEGREES UNLESS OTHERWISE SHOWN. ALL DISTANCE TOLERANCES UNLESS OTHERWISE SHOWN ARE: .XX ±.01, .XXX ±.005. ALL ANGLE TOLERANCES UNLESS OTHERWISE SHOWN ARE X ±1°, XX ±0.1°.</p>						
B	UPDATED DIMENSION POINTS AND TOLERANCES	6/4/13	HRF	JCT	DBH	
A	INITIAL DESIGN	2/14/13	HRF			
REV	DESCRIPTION	DATE	DWN	CHKD	APVD	ECN

COMPANY CONFIDENTIAL
THIS DOCUMENT AND ALL INFORMATION CONTAINED HEREIN ARE THE PROPERTY OF SIEMENS AND/OR ITS AFFILIATES. THE DESIGN CONCEPTS AND INFORMATION CONTAINED HEREIN ARE PROPRIETARY TO SIEMENS AND ARE SUBMITTED IN CONFIDENCE. THEY ARE NOT TRANSFERABLE AND MUST BE USED ONLY FOR THE PURPOSE FOR WHICH THE DOCUMENT IS EXPRESSLY LOANED. THEY MUST NOT BE DISCLOSED, REPRODUCED, LOANED OR USED IN ANY OTHER MANNER WITHOUT THE EXPRESS WRITTEN CONSENT OF SIEMENS. IN NO EVENT SHALL THEY BE USED IN ANY MANNER DETRIMENTAL TO THE INTEREST OF SIEMENS. ALL PATENT RIGHTS ARE RESERVED. UPON THE DEMAND OF SIEMENS, THIS DOCUMENT, ALONG WITH ALL COPIES AND EXTRACTS, AND ALL RELATED NOTES AND ANALYSES, MUST BE RETURNED TO SIEMENS OR DESTROYED AS INSTRUCTED BY SIEMENS. ACCEPTANCE OF THE DELIVERY OF THIS DOCUMENT CONSTITUTES AGREEMENT TO THESE TERMS AND CONDITIONS.

DESIGNER	DATE
FRYE	2/14/13
CHECKER	DATE
ENGINEER	DATE
MANAGER	DATE
FILE: IP-VNX 28-2 RB	
SCALE: NA	

TITLE		IP-VNX 28-2			
PROJECT	FORMAT	DRAWING	SHEET	REV	
707689	22X34 D	28 GPM VNX	1 OF 1	B	

