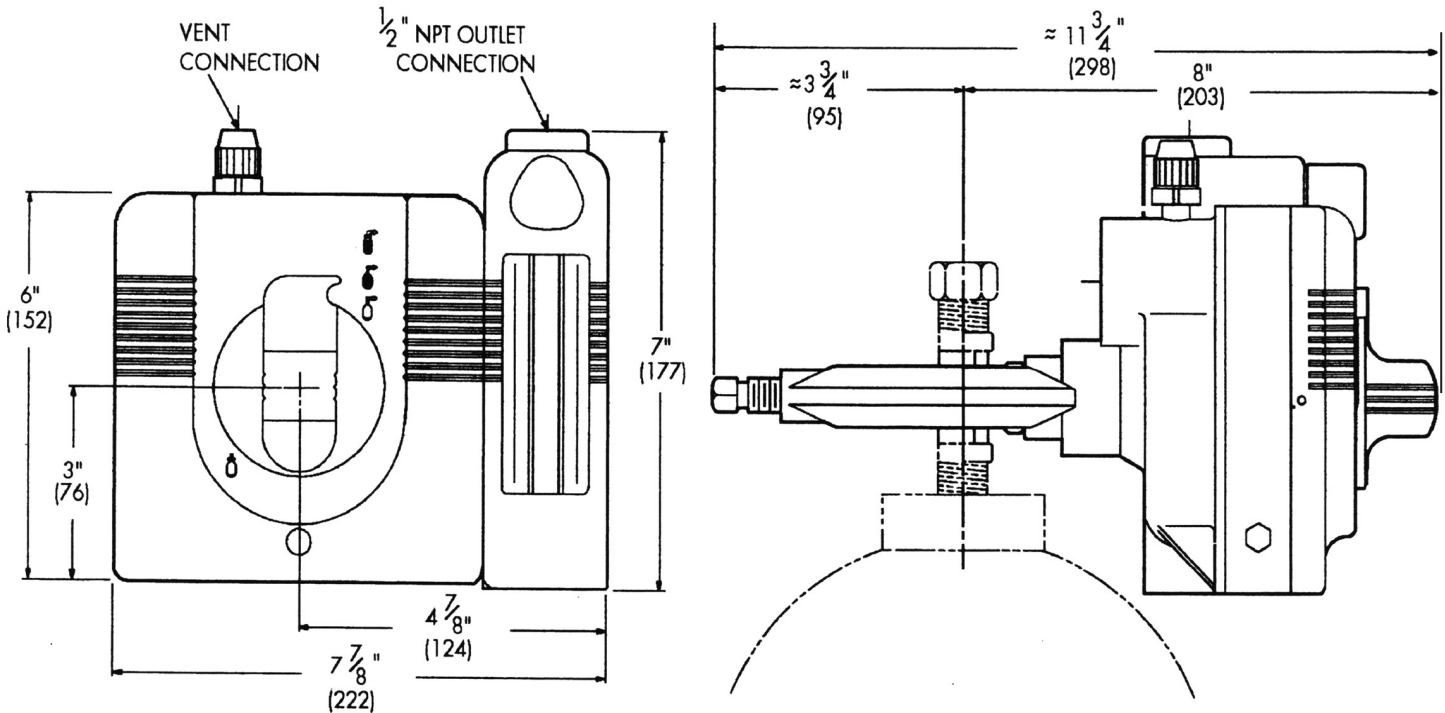


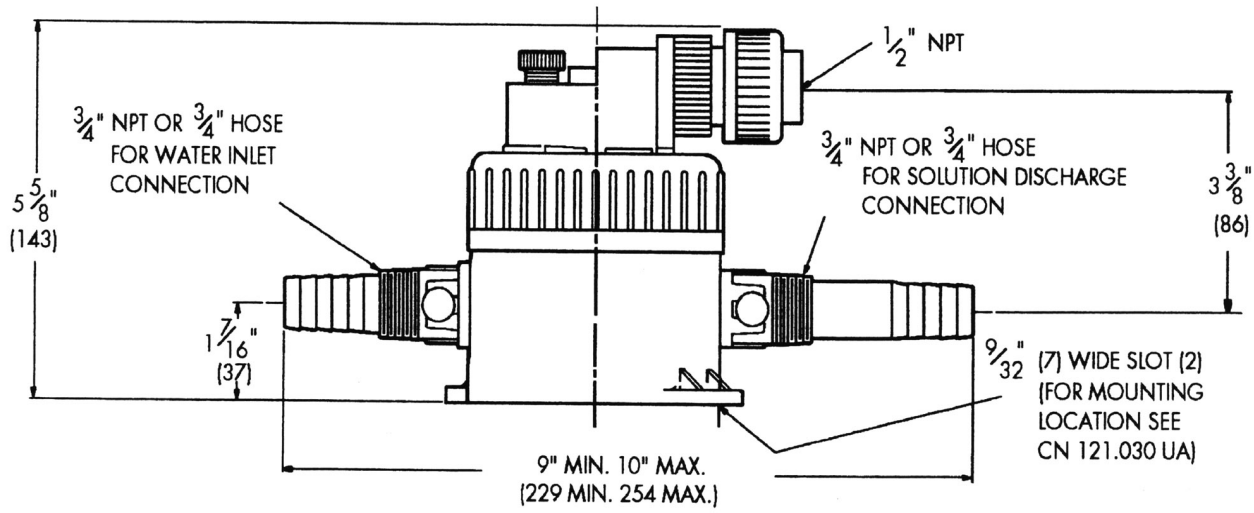
S10K Chlorinator

200 PPD with Chlorine Institute Yoke



FRONT VIEW

SIDE VIEW



STANDARD INJECTOR

Wallace & Tiernan[®]
an EVOQUA brand

Germany:
+49 8221 9040
wtger@evoqua.com

United Kingdom:
+44 1732 771777
info.uk.@evoqua.com

USA:
+1 856 507 9000
wtus@evoqua.com

Canada:
+1 905 944 2800
canadacustomerservice
@evoqua.com

Singapore:
+65 6830 7100
infosg@evoqua.com

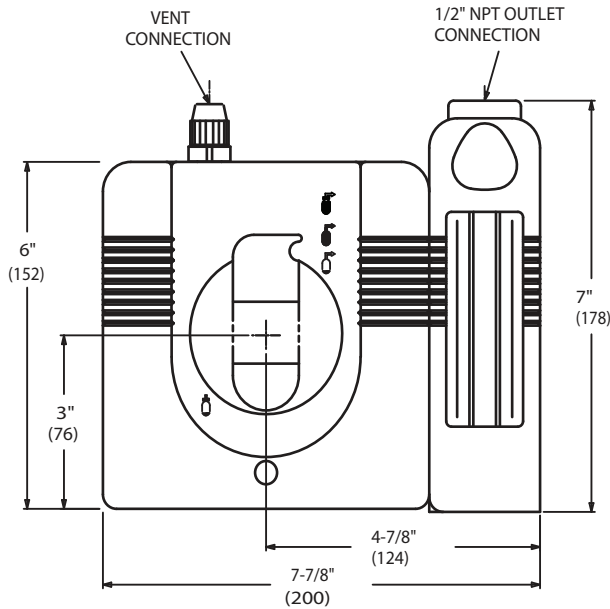
Australia:
+61 (0) 3 8720 6597
info.au@evoqua.com

Dimensions

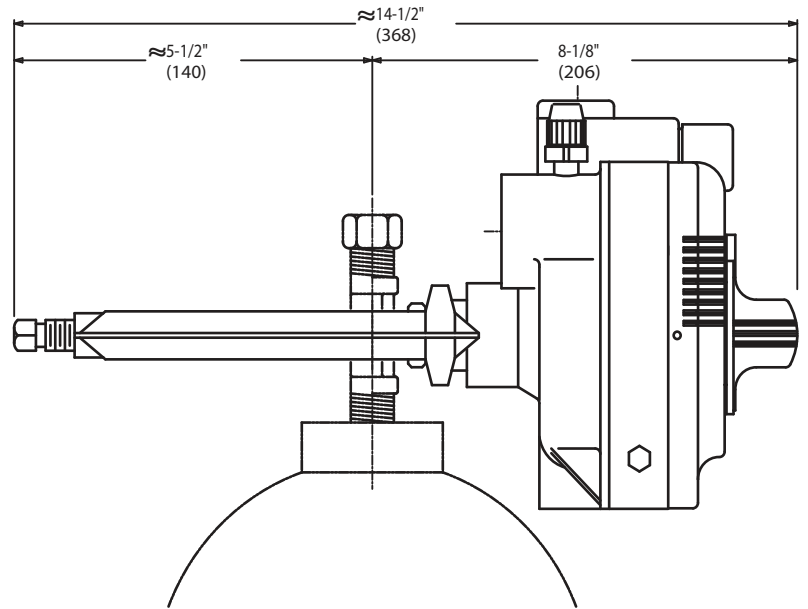
WT.025.200.100.IE.CN.0714

S10K Chlorinator

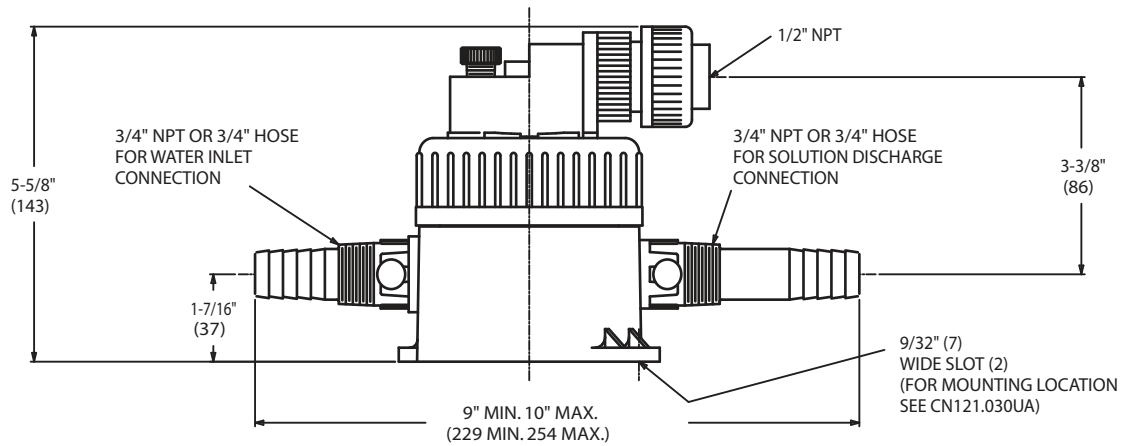
200 PPD with Universal Yoke Adapter



FRONT VIEW



SIDE VIEW



STANDARD INJECTOR

Wallace & Tiernan[®]

an EVOQUA brand

Dimensions

WT.025.200.102.IE.CN.0714

Germany:
+49 8221 9040
wtger@evoqua.com

United Kingdom:
+44 1732 771777
info.uk.@evoqua.com

USA:
+1 856 507 9000
wtus@evoqua.com

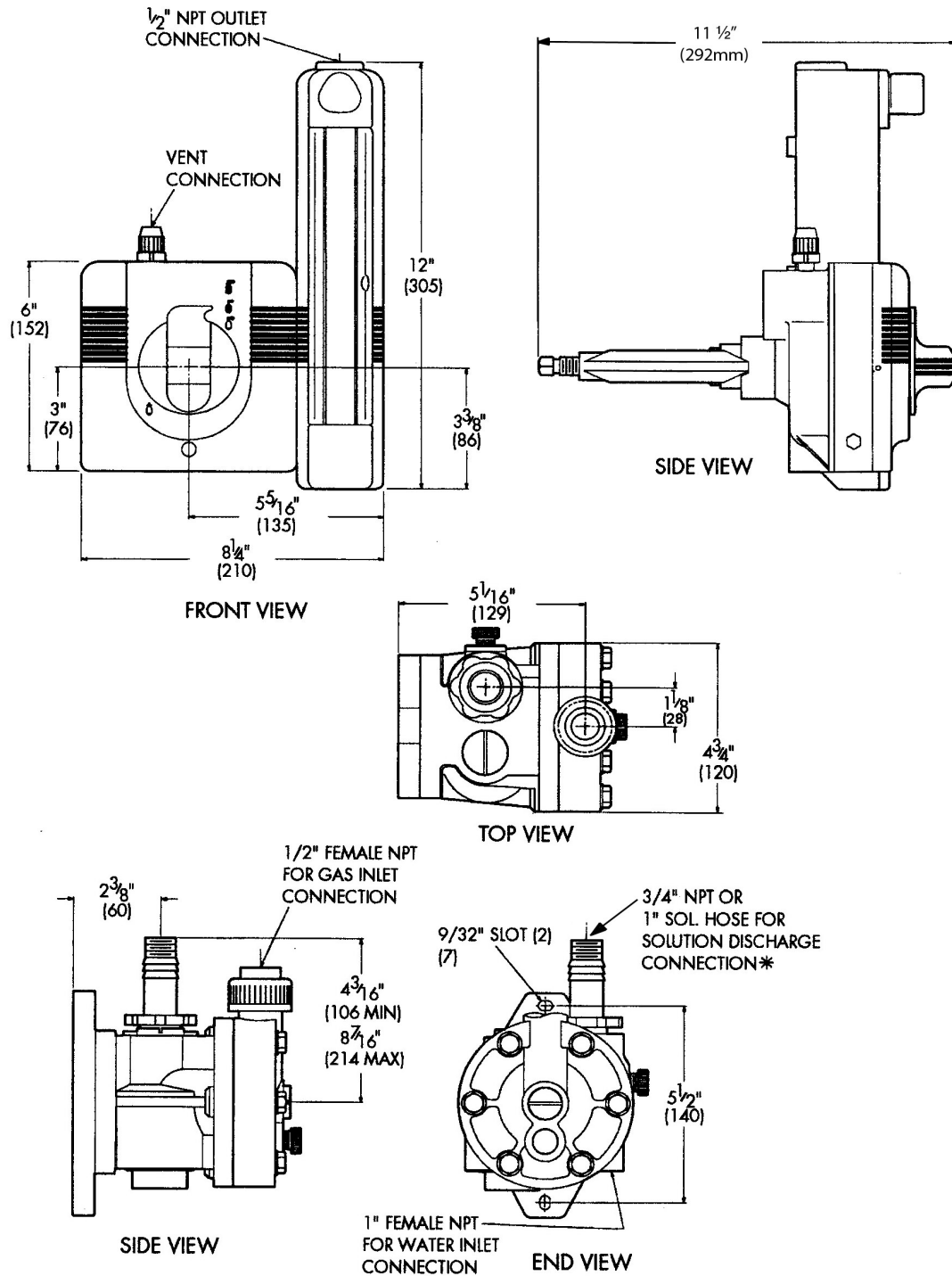
Canada:
+1 905 944 2800
canadacustomerservice
@evoqua.com

Singapore:
+65 6830 7100
infosg@evoqua.com

Australia:
+61 (0) 3 8720 6597
info.au@evoqua.com

S10K Chlorinator

500 PPD with Chlorine Institute Yoke



NOTE: * WHEN USING RIGID PIPE FOR THE SOLUTION LINE, ELBOWS WITHIN 8" OF THE DISCHARGE CONNECTION MAY SERIOUSLY IMPAIR INJECTOR PERFORMANCE.

Wallace & Tiernan[®]
an EVOQUA brand

Germany:
+49 8221 9040
wtger@evoqua.com

United Kingdom:
+44 1732 771777
info.uk.@evoqua.com

USA:
+1 856 507 9000
wtus@evoqua.com

Canada:
+1 905 944 2800
canadacustomerservice@evoqua.com

Singapore:
+65 6830 7100
infosg@evoqua.com

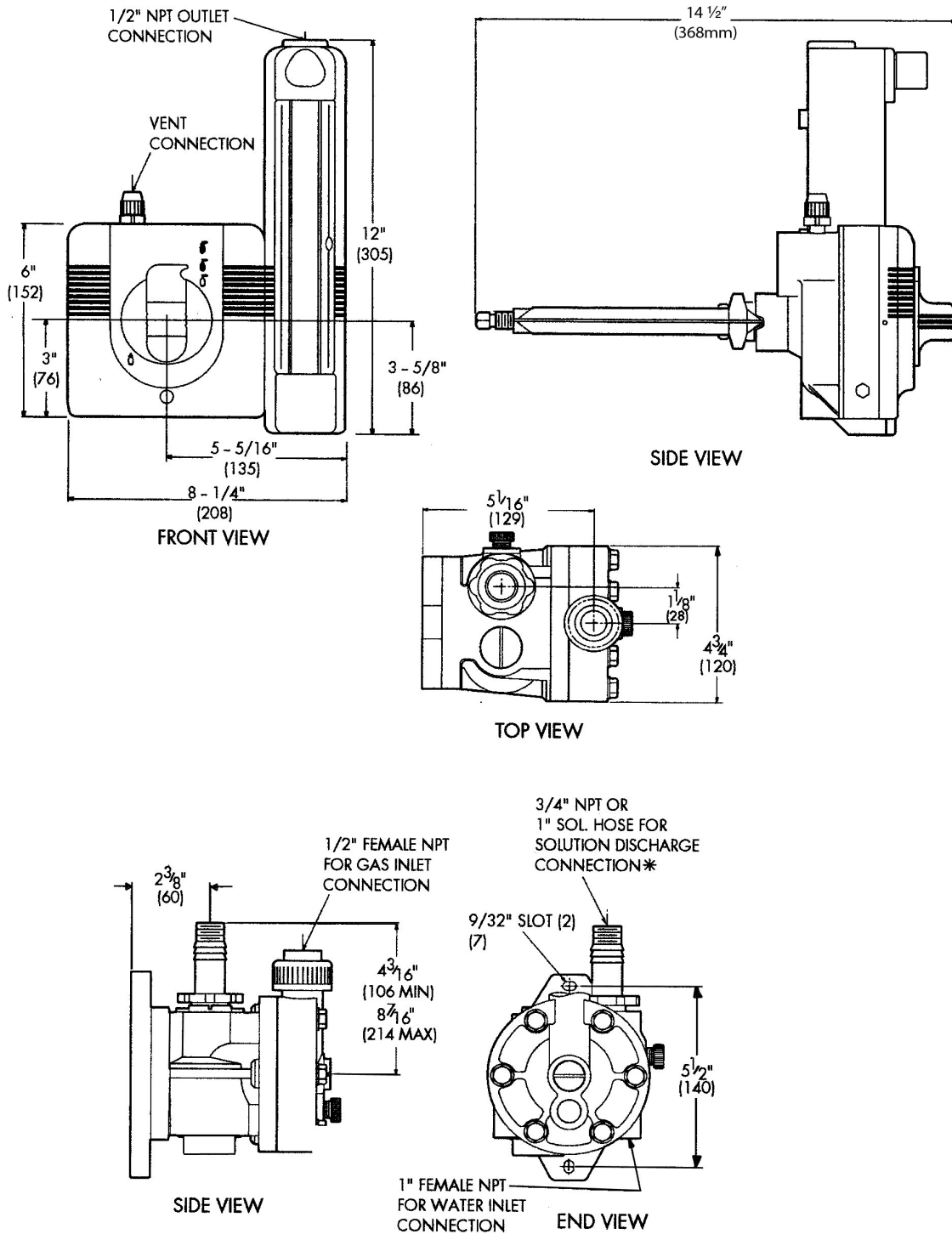
Australia:
+61 (0) 3 8720 6597
info.au@evoqua.com

Dimensions

WT.025.200.104.IE.CN.0714

S10K Chlorinator

500 PPD with Universal Yoke Adapter



NOTE: * WHEN USING RIGID PIPE FOR THE SOLUTION LINE, ELBOWS WITHIN 8" OF THE DISCHARGE CONNECTION MAY SERIOUSLY IMPAIR INJECTOR PERFORMANCE.

Wallace & Tiernan[®]

an EVOQUA brand

Dimensions

WT.025.200.106.IE.CN.0714

Germany:
+49 8221 9040
wtger@evoqua.com

United Kingdom:
+44 1732 771777
info.uk.@evoqua.com

USA:
+1 856 507 9000
wtus@evoqua.com

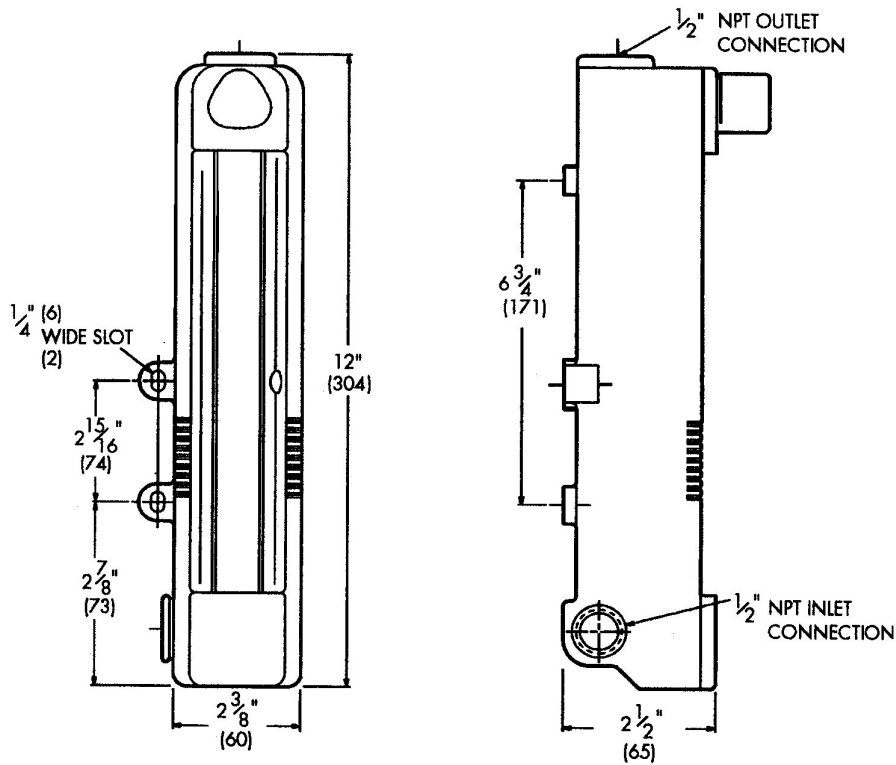
Canada:
+1 905 944 2800
canadacustomerservice
@evoqua.com

Singapore:
+65 6830 7100
infosg@evoqua.com

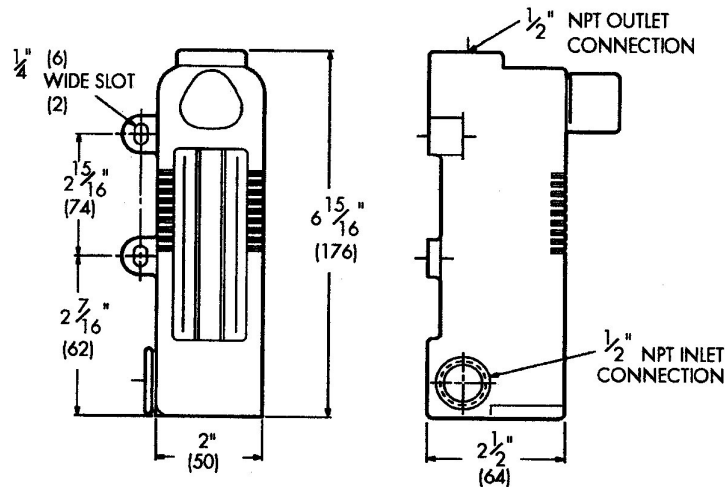
Australia:
+61 (0) 3 8720 6597
info.au@evoqua.com

S10K Chlorinator

Rotameters



5" TUBE
(MAX. CAPACITY 500PPD)



3" TUBE
(MAX. CAPACITY 200PPD)

Germany:
+49 8221 9040
wtger@evoqua.com

United Kingdom:
+44 1732 771777
info.uk.@evoqua.com

USA:
+1 856 507 9000
wtus@evoqua.com

Canada:
+1 905 944 2800
canadacustomerservice
@evoqua.com

Singapore:
+65 6830 7100
infosg@evoqua.com

Australia:
+61 (0) 3 8720 6597
info.au@evoqua.com

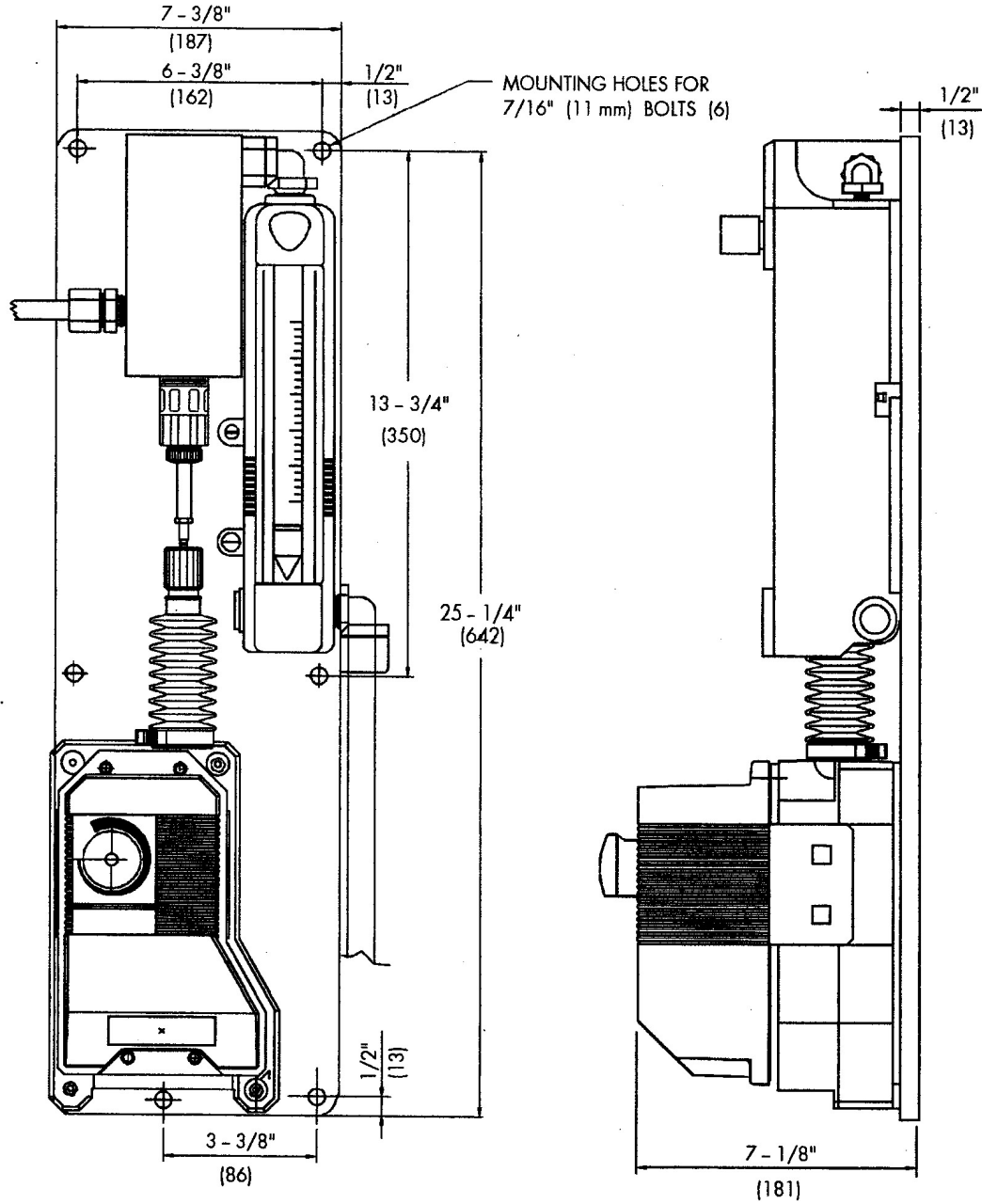
Wallace & Tiernan[®]
an EVOQUA brand

Dimensions

WT.025.200.108.IE.CN.0714

S10K Chlorinator
Auto Control Panel

MOUNTING DIMENSIONS



Germany:
+49 8221 9040
wtger@evoqua.com

United Kingdom:
+44 1732 771777
info.uk.@evoqua.com

USA:
+1 856 507 9000
wtus@evoqua.com

Canada:
+1 905 944 2800
canadacustomerservice
@evoqua.com

Singapore:
+65 6830 7100
infosg@evoqua.com

Australia:
+61 (0) 3 8720 6597
info.au@evoqua.com

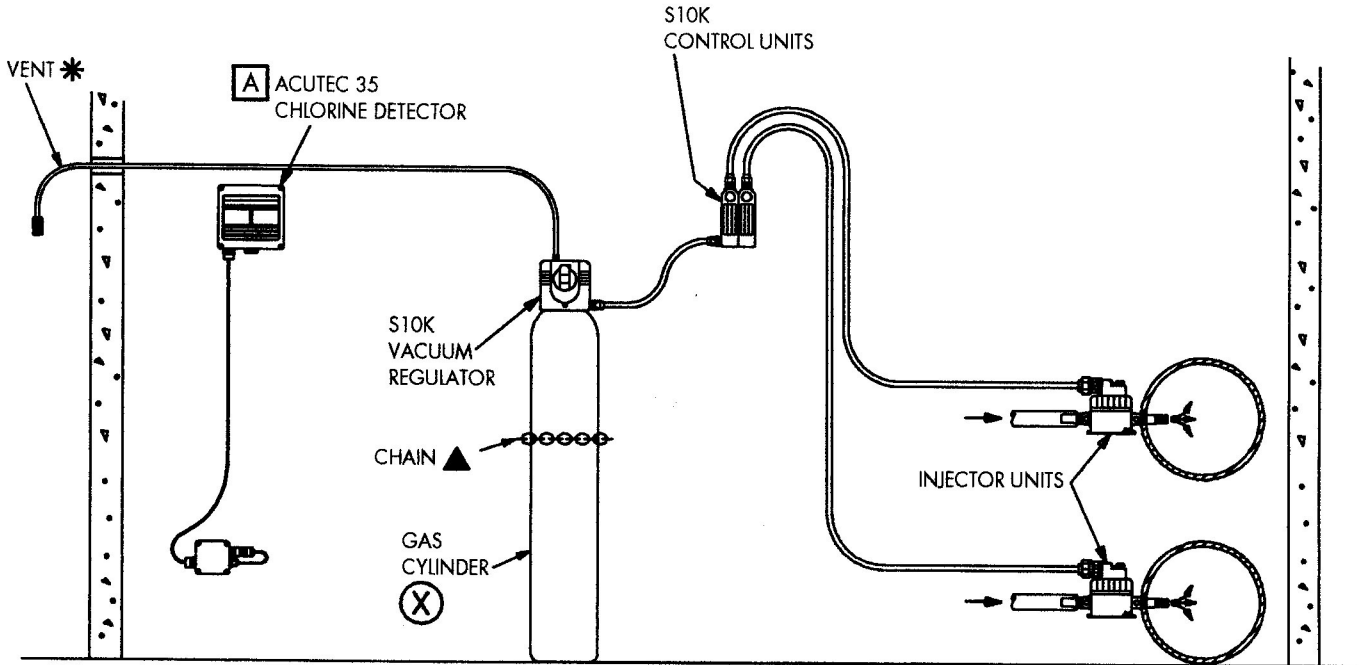
Wallace & Tiernan[®]
an EVOQUA brand

Dimensions
WT.025.200.112.IE.CN.0714

S10K Chlorinator

Multiple Points of Feed

MULTIPLE POINTS OF FEED



WARNING: * THE VENT LINE MUST TERMINATE IN AN AREA WHERE GAS FUMES CANNOT CAUSE DAMAGE OR INJURY TO PERSONNEL. DO NOT TERMINATE THE VENT LINE AT A LOCATION ROUTINELY USED BY PERSONNEL SUCH AS WORK AREAS OR PATHWAYS NOR NEAR WINDOWS OR VENTILATION SYSTEM INTAKES.

▲ CHLORINE CYLINDERS MUST BE SECURED IN SUCH A MANNER (E.G. CHAIN) AS TO PREVENT THEIR BEING KNOCKED OVER.

DEWATERING

DATA: IF POINT OF APPLICATION CANNOT BE LOCATED BETWEEN VALVES. THE USE OF A CORPORATION COCK TYPE MAIN IS RECOMMENDED TO PERMIT SERVICING THE INJECTOR.

VENT DATA: RUN VENT TUBING TO OUTSIDE ATMOSPHERE WITH OUTER END POINTED DOWN. ATTACH SCREEN.

NOTE: (X) NOT FURNISHED BY EVOQUA WATER TECHNOLOGIES

(A) ACCESSORY ITEM FURNISHED ONLY IF SPECIFICALLY LISTED IN QUOTATION AND AS CHECKED ON THIS DRAWING.

MAXIMUM COMBINED CAPACITY OF ALL CONTROL UNITS MUST NOT EXCEED CAPACITY OF VACUUM REGULATOR.

Wallace & Tiernan[®]

an EVOQUA brand

Germany:
+49 8221 9040
wtger@evoqua.com

United Kingdom:
+44 1732 771777
info.uk.@evoqua.com

USA:
+1 856 507 9000
wtus@evoqua.com

Canada:
+1 905 944 2800
canadacustomerservice
@evoqua.com

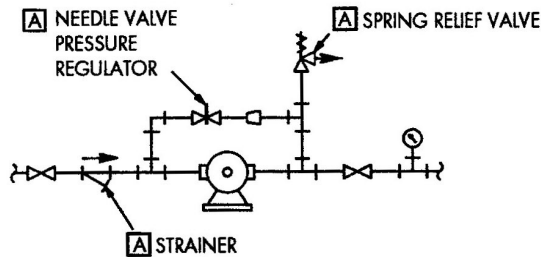
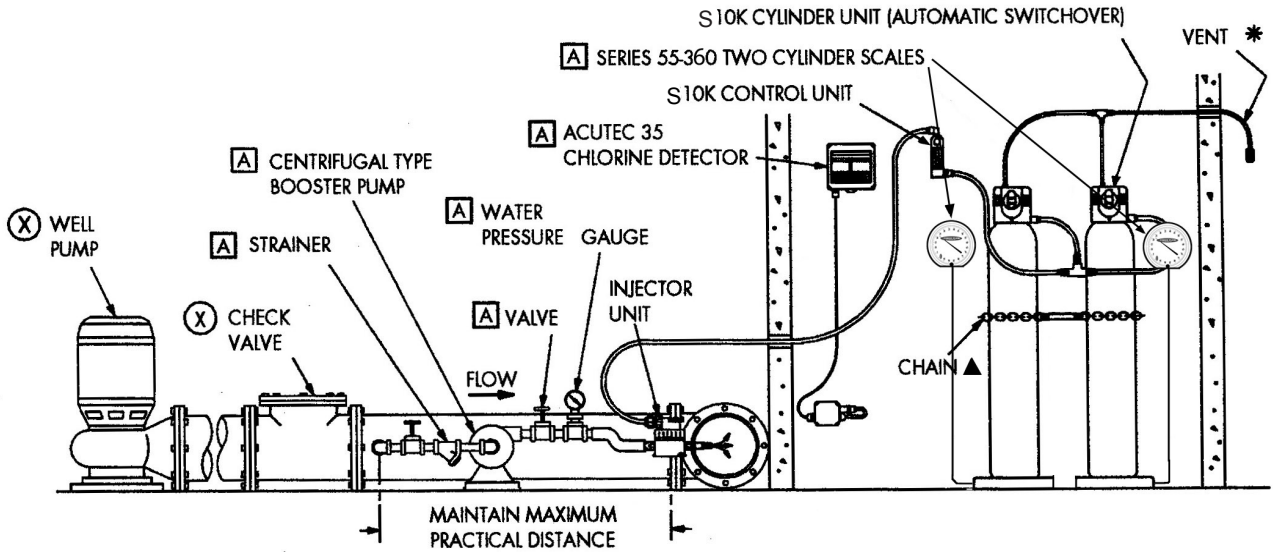
Singapore:
+65 6830 7100
infosg@evoqua.com

Australia:
+61 (0) 3 8720 6597
info.au@evoqua.com

Typical Installation
WT.025.200.200.IE.CN.0714

S10K Chlorinator

Well House, Auto Switchover



A ALTERNATE PIPING FOR TURBINE TYPE BOOSTER PUMP

WARNING: * THE VENT LINE MUST TERMINATE IN AN AREA WHERE GAS FUMES CANNOT CAUSE DAMAGE OR INJURY TO PERSONNEL. DO NOT TERMINATE THE VENT LINE AT A LOCATION ROUTINELY USED BY PERSONNEL SUCH AS WORK AREAS OR PATHWAYS NOR NEAR WINDOWS OR VENTILATION SYSTEM INTAKES.

▲ CHLORINE CYLINDERS MUST BE SECURED IN SUCH A MANNER (e.g. CHAIN) AS TO PREVENT THEIR BEING KNOCKED OVER.

NOTE: (X) NOT FURNISHED BY EVOQUA WATER TECHNOLOGIES

A ACCESSORY ITEM FURNISHED ONLY IF SPECIFICALLY LISTED IN QUOTATION AND AS CHECKED ON THIS DRAWING.

DEWATERING

DATA: IF POINT OF APPLICATION CANNOT BE LOCATED BETWEEN VALVES. THE USE OF A CORPORATION COCK TYPE MAIN CONNECTION IS RECOMMENDED TO PERMIT SERVICING THE INJECTOR.

VENT DATA: RUN VENT TUBING TO OUTSIDE ATMOSPHERE WITH OUTER END POINTED DOWN. ATTACH SCREEN.

Germany:
+49 8221 9040
wtger@evoqua.com

United Kingdom:
+44 1732 771777
info.uk.@evoqua.com

USA:
+1 856 507 9000
wtus@evoqua.com

Canada:
+1 905 944 2800
canadacustomerservice
@evoqua.com

Singapore:
+65 6830 7100
infosg@evoqua.com

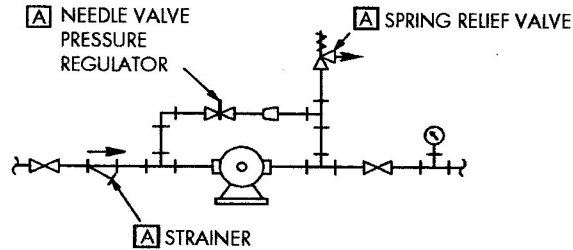
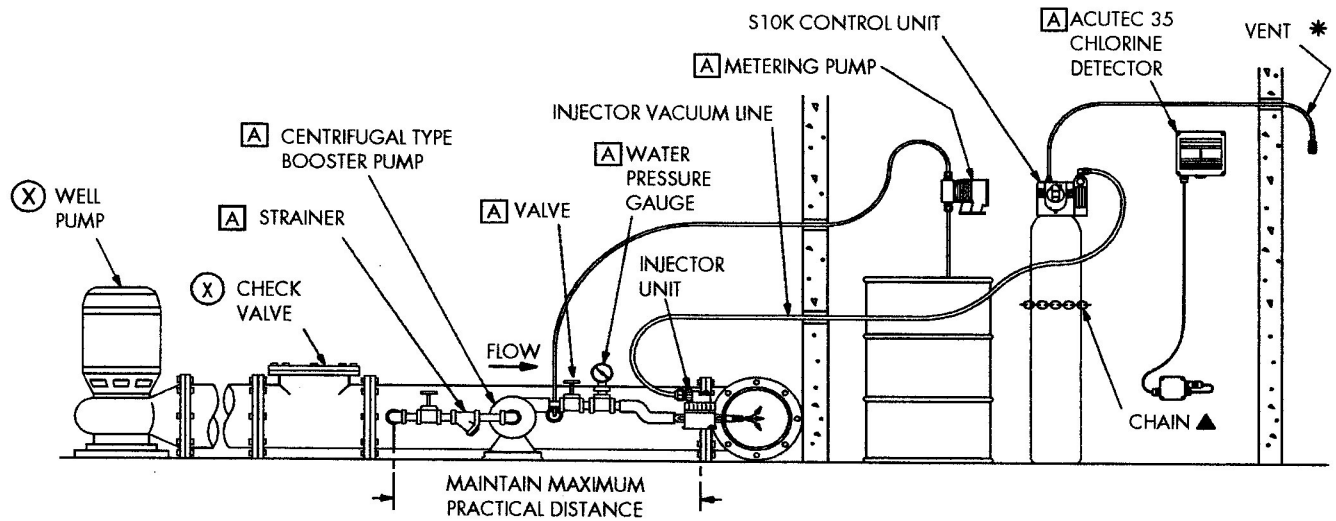
Australia:
+61 (0) 3 8720 6597
info.au@evoqua.com

Wallace & Tiernan[®]
an EVOQUA brand

Typical Installation
WT.025.200.202.IE.CN.0714

S10K Chlorinator

Well House, with Metering Pump



A ALTERNATE PIPING FOR TURBINE TYPE BOOSTER PUMP

WARNING: * THE VENT LINE MUST TERMINATE IN AN AREA WHERE GAS FUMES CANNOT CAUSE DAMAGE OR INJURY TO PERSONNEL. DO NOT TERMINATE THE VENT LINE AT A LOCATION ROUTINELY USED BY PERSONNEL SUCH AS WORK AREAS OR PATHWAYS NOR NEAR WINDOWS OR VENTILATION SYSTEM INTAKES.

▲ CHLORINE CYLINDERS MUST BE SECURED IN SUCH A MANNER (e.g. CHAIN) AS TO PREVENT THEIR BEING KNOCKED OVER.

NOTE: (X) NOT FURNISHED BY EVOQUA WATER TECHNOLOGIES

A ACCESSORY ITEM FURNISHED ONLY IF SPECIFICALLY LISTED IN QUOTATION AND AS CHECKED ON THIS DRAWING.

DEWATERING

DATA: IF POINT OF APPLICATION CANNOT BE LOCATED BETWEEN VALVES. THE USE OF A CORPORATION COCK TYPE MAIN CONNECTION IS RECOMMENDED TO PERMIT SERVICING THE INJECTOR.

VENT DATA: RUN VENT TUBING TO OUTSIDE ATMOSPHERE WITH OUTER END POINTED DOWN. ATTACH SCREEN.

Germany:
+49 8221 9040
wtger@evoqua.com

United Kingdom:
+44 1732 771777
info.uk.@evoqua.com

USA:
+1 856 507 9000
wtus@evoqua.com

Canada:
+1 905 944 2800
canadacustomerservice
@evoqua.com

Singapore:
+65 6830 7100
infosg@evoqua.com

Australia:
+61 (0) 3 8720 6597
info.au@evoqua.com

Wallace & Tiernan[®]

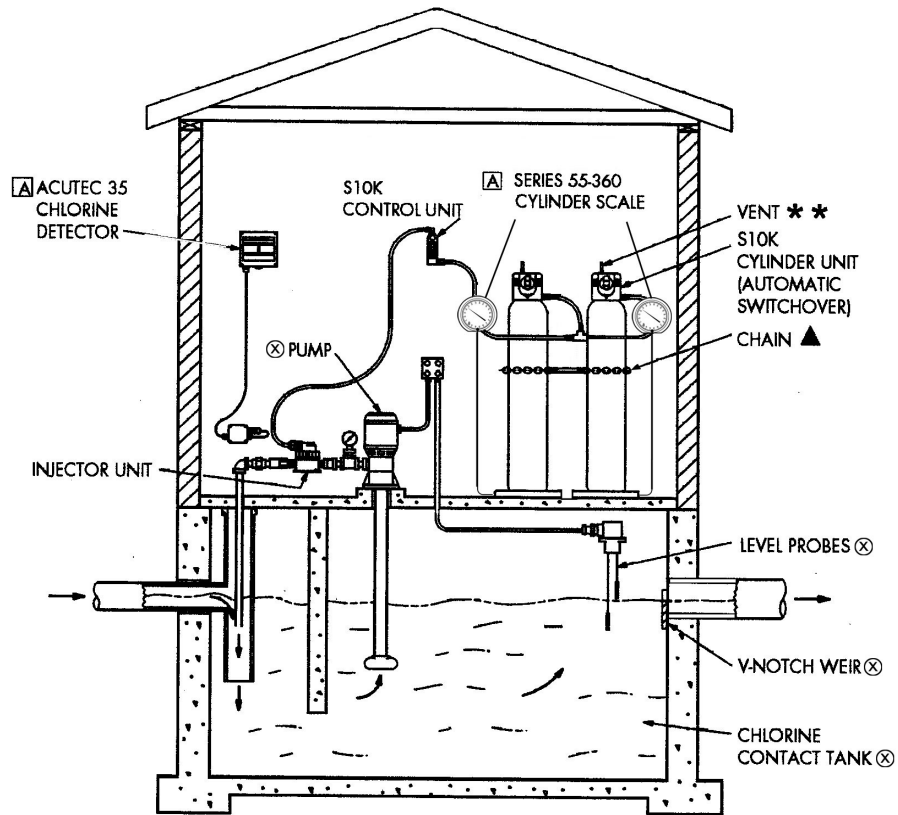
an EVOQUA brand

Typical Installation

WT.025.200.204.IE.CN.0714

S10K Chlorinator

Typical Small Wastewater Treatment Plant



METHOD OF OPERATION

1. WHEN THERE IS NO WASTE WATER, THE S10K CHLORINATOR DOES NOT OPERATE.
2. SMALL WASTE WATER FLOW THRU THE V-NOTCH WEIR CAUSES IMMEDIATE RISE IN LEVEL BEHIND THE WEIR PLATE.
3. RAISE CONTACTS LEVEL PROBES, STARTING PUMP AND S10K CHLORINATOR.
4. THE CHLORINATOR CONTINUES TO APPLY CHLORINE TO INLET OF THE CHLORINE CONTACT TANK, FEED RATE IS MANUALLY ADJUSTED, UNTIL FALL IN FLOW AND LEVEL BEHIND WEIR BREAKS CONTACT ON THE LEVEL PROBES.

VENT DATA: RUN VENT TUBING TO OUTSIDE ATMOSPHERE WITH OUTER END POINTED DOWN. ATTACH SCREEN.

WARNING: THE VENT LINE MUST TERMINATE IN AN AREA WHERE GAS FUMES CANNOT CAUSE
**** DAMAGE OR INJURY TO PERSONNEL. DO NOT TERMINATE THE VENT LINE AT A LOCATION ROUTINELY USED BY PERSONNEL SUCH AS WORK AREAS OR PATHWAYS NOR NEAR WINDOWS OR VENTILATION SYSTEM INTAKES.**

▲ CHLORINE CYLINDERS MUST BE SECURED IN SUCH A MANNER (e.g. CHAIN) AS TO PREVENT THEIR BEING KNOCKED OVER.

A ACCESSORY ITEM FURNISHED ONLY IF LISTED IN QUOTATION AND AS CHECKED ON THIS DRAWING.

X NOT FURNISHED BY EVOQUA WATER TECHNOLOGIES

Wallace & Tiernan[®]

an EVOQUA brand

Germany:
 +49 8221 9040
 wtger@evoqua.com

United Kingdom:
 +44 1732 771777
 info.uk.@evoqua.com

USA:
 +1 856 507 9000
 wtus@evoqua.com

Canada:
 +1 905 944 2800
 canadacustomerservice
 @evoqua.com

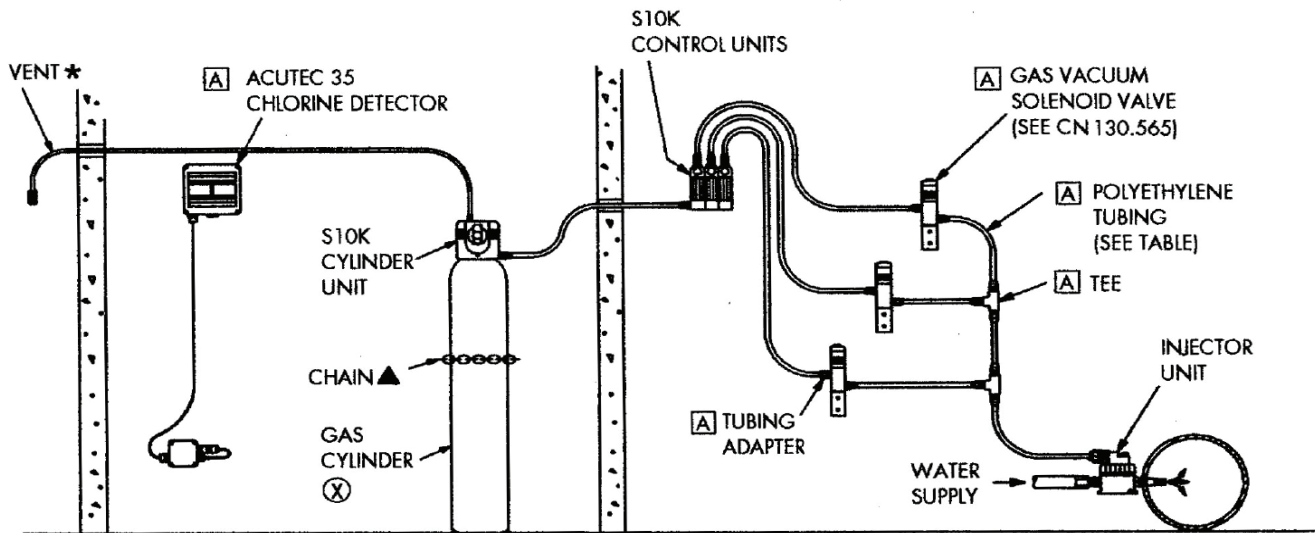
Singapore:
 +65 6830 7100
 infosg@evoqua.com

Australia:
 +61 (0) 3 8720 6597
 info.au@evoqua.com

Typical Installation
 WT.025.200.206.IE.CN.0714

S10K Chlorinator

Multiple Rate Chlorination



MAXIMUM 3/8" ID x 1/2" OD TUBING LENGTHS ◆		
TYPE OF TUBING: WHITE POLYETHYLENE		
CHLORINATOR CAPACITY LBS/24 HRS.	CYLINDER UNIT TO CONTROL UNIT	CONTROL UNIT TO INJECTOR UNIT
200	20 FEET	40 FEET
150	35 FEET	70 FEET
100	80 FEET	160 FEET
50	320 FEET	640 FEET

WARNING: * THE VENT LINE MUST TERMINATE IN AN AREA WHERE GAS FUMES CANNOT CAUSE DAMAGE OR INJURY TO PERSONNEL. DO NOT TERMINATE THE VENT LINE AT A LOCATION ROUTINELY USED BY PERSONNEL SUCH AS WORK AREAS OR PATHWAYS NOR NEAR WINDOWS OR VENTILATION SYSTEM INTAKES.

▲ CHLORINE CYLINDERS MUST BE SECURED IN SUCH A MANNER (e.g. CHAIN) AS TO PREVENT THEIR BEING KNOCKED OVER.

DEWATERING DATA: IF POINT OF APPLICATION CANNOT BE LOCATED BETWEEN VALVES, THE USE OF A CORPORATION COCK TYPE MAIN CONNECTION IS RECOMMENDED TO PERMIT SERVICING THE INJECTOR.

NOTE: (X) NOT FURNISHED BY EVOQUA WATER TECHNOLOGIES

(A) ACCESSORY ITEM FURNISHED ONLY IF SPECIFICALLY LISTED IN QUOTATION AND AS CHECKED ON THIS DRAWING.

◆ SPECIFY LENGTH WHEN ORDERING.

MAXIMUM COMBINED CAPACITY OF ALL CONTROL UNITS MUST NOT EXCEED 200 LBS./24 HRS. PER CYLINDER UNIT.

Wallace & Tiernan®

an EVOQUA brand

Germany:
+49 8221 9040
wtger@evoqua.com

United Kingdom:
+44 1732 771777
info.uk.@evoqua.com

USA:
+1 856 507 9000
wtus@evoqua.com

Canada:
+1 905 944 2800
canadacustomerservice@evoqua.com

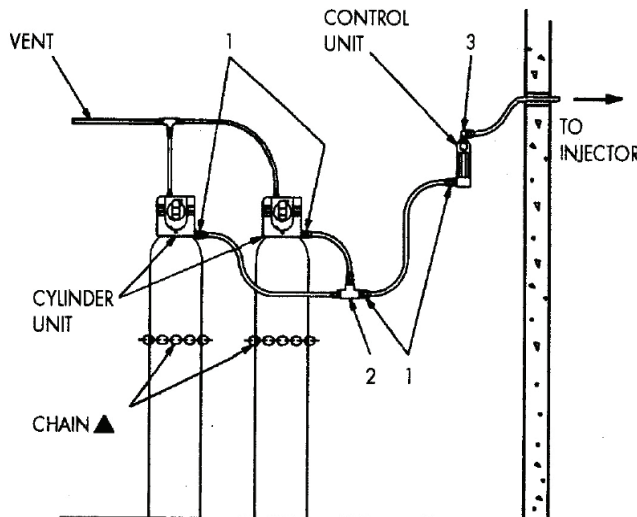
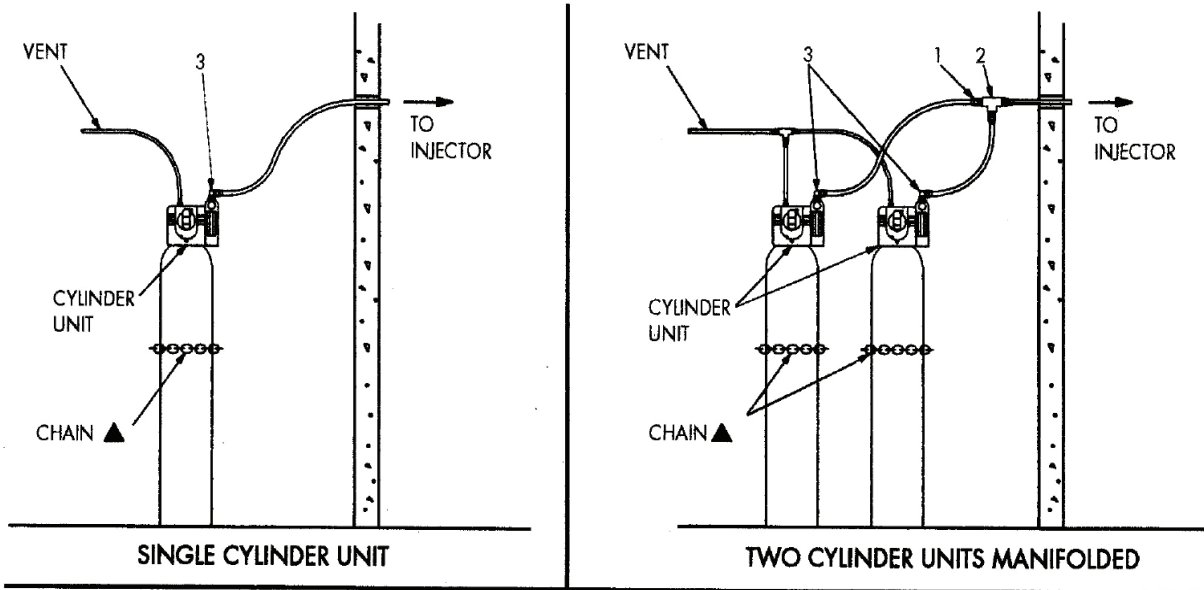
Singapore:
+65 6830 7100
infosg@evoqua.com

Australia:
+61 (0) 3 8720 6597
info.au@evoqua.com

Typical Installation
WT.025.200.210.IE.CN.0714

S10K Chlorinator

Supply Connections



REF. NO.	PART NO.	DESCRIPTION
1	U27486	STRAIGHT CONNECTOR 1/2" NPT x 1/2" OD TUBING (200 PPD)
	U24102	STRAIGHT CONNECTOR 1/2" NPT x 5/8" OD TUBING (500 PPD)
2	P42700	TEE. 1/2" NPT
3	U27553	ELBOW 1/2" NPT x 1/2" OD TUBING (200PPD)
	U24110	ELBOW 1/2" NPT x 5/8" OD TUBING (500PPD)

NOTE: CHLORINE CYLINDERS MUST BE SECURED IN SUCH A MANNER (e.g. CHAIN) AS TO PREVENT THEIR BEING KNOCKED OVER.

Germany:
+49 8221 9040
wtger@evoqua.com

United Kingdom:
+44 1732 771777
info.uk.@evoqua.com

USA:
+1 856 507 9000
wtus@evoqua.com

Canada:
+1 905 944 2800
canadacustomerservice
@evoqua.com

Singapore:
+65 6830 7100
infosg@evoqua.com

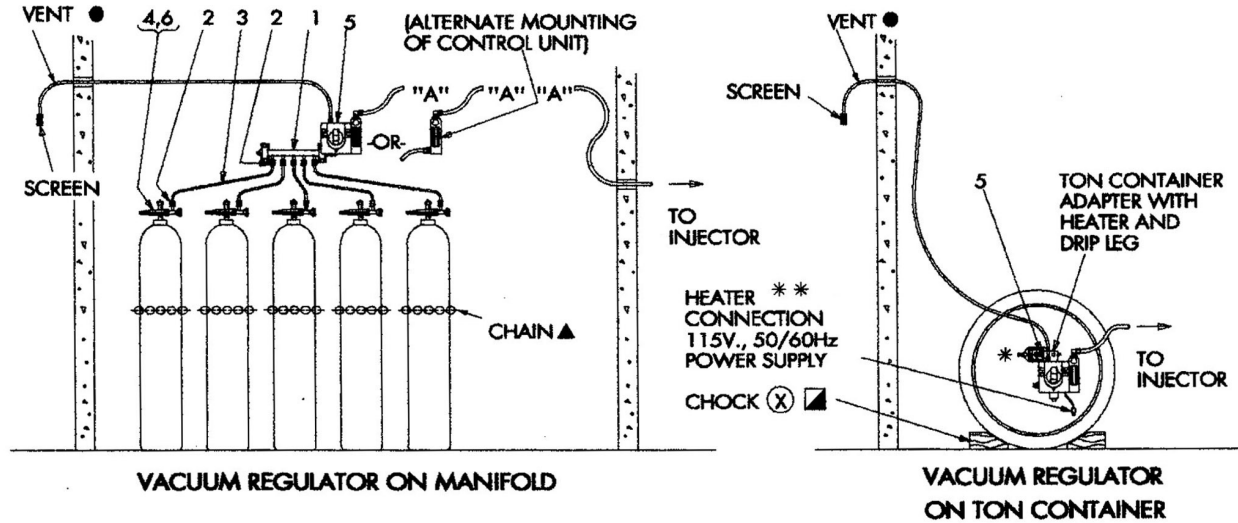
Australia:
+61 (0) 3 8720 6597
info.au@evoqua.com

Wallace & Tiernan[®]
an EVOQUA brand

Typical Installation
WT.025.200.212.IE.CN.0714

S10K Chlorinator

Supply Connections - Manifold or Ton Container



KEY NO.	PART NO.	DESCRIPTION
1	U28834	FIVE TANK MANIFOLD
2	P2519	GASKET, 35/64"OD
3	UXB493	3 FLEX. CONNECTION, 3/16"OD X 4 FT. LG.
	UXC493	2 FLEX. CONNECTION, 3/16"OD X 6 FT. LG.
4	U28110	AUXILIARY CYLINDER VALVE, CAPTIVE YOKE TYPE
5	P16191	GASKET, 15/16"OD X 35/64"ID
6	P2476	GASKET, 15/16"OD X 3/8"ID

WARNING: ● THE VENT LINE MUST TERMINATE IN AN AREA WHERE GAS FUMES CANNOT CAUSE DAMAGE OR INJURY TO PERSONNEL. DO NOT TERMINATE THE VENT LINE AT A LOCATION ROUTINELY USED BY PERSONNEL SUCH AS WORK AREAS OR PATHWAYS NOR NEAR WINDOWS OR VENTILATION SYSTEM INTAKES.

CAUTION: * FOR GAS WITHDRAWAL, CONNECTION MUST BE MADE TO UPPER VALVE AS ILLUSTRATED.

NOTE: (X) NOT FURNISHED BY EVOQUA WATER TECHNOLOGIES

▲ CHLORINE CYLINDERS MUST BE SECURED IN SUCH A MANNER (e.g. CHAIN) AS TO PREVENT THEIR BEING KNOCKED OVER.

▣ TON CONTAINERS MUST BE SECURED IN SUCH A MANNER (e.g. CHOCKS) AS TO PREVENT THEIR BEING ROLLED OUT OF PLACE.

** 230 VOLT 50/60Hz HEATER OPTIONAL.

Wallace & Tiernan[®]

an EVOQUA brand

Germany:
+49 8221 9040
wtger@evoqua.com

United Kingdom:
+44 1732 771777
info.uk.@evoqua.com

USA:
+1 856 507 9000
wtus@evoqua.com

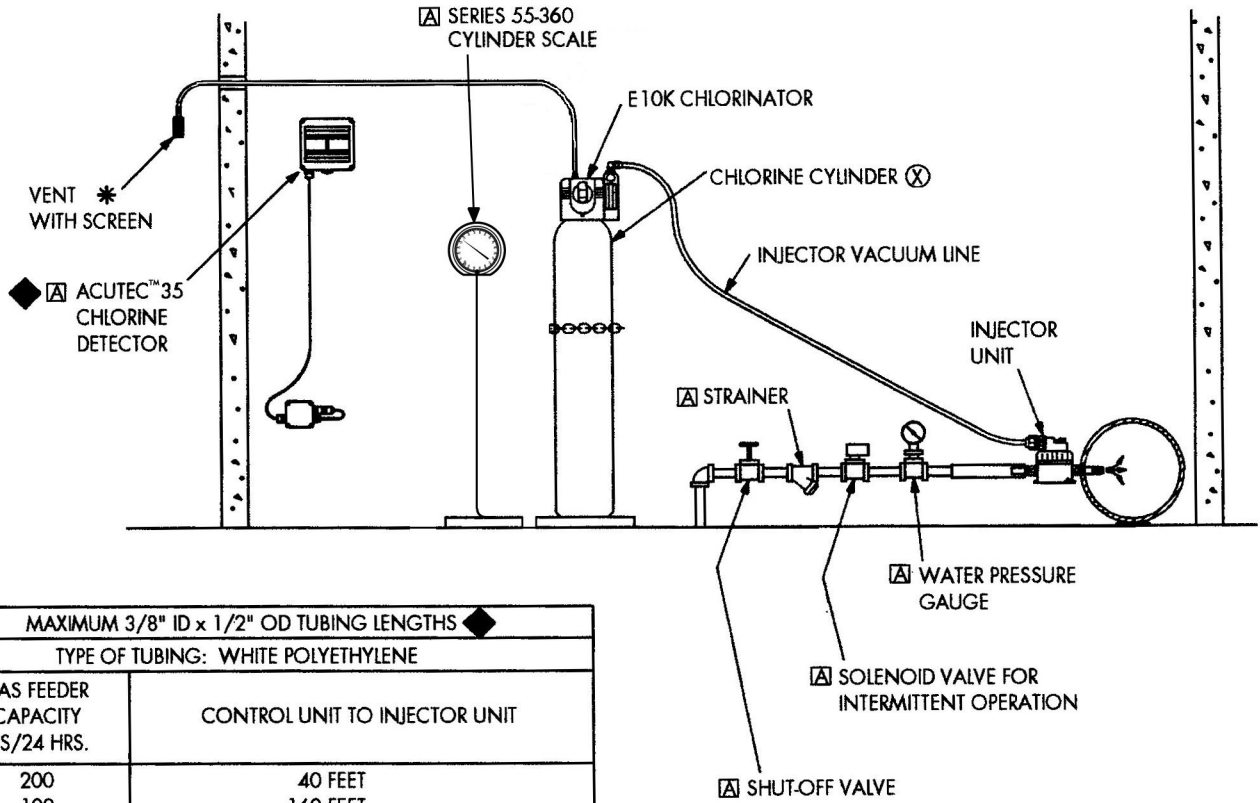
Canada:
+1 905 944 2800
canadacustomerservice
@evoqua.com

Singapore:
+65 6830 7100
infosg@evoqua.com

Australia:
+61 (0) 3 8720 6597
info.au@evoqua.com

Typical Installation
WT.025.200.214.IE.CN.0714

S10K Chlorinator



MAXIMUM 3/8" ID x 1/2" OD TUBING LENGTHS	
TYPE OF TUBING: WHITE POLYETHYLENE	
GAS FEEDER CAPACITY LBS/24 HRS.	CONTROL UNIT TO INJECTOR UNIT
200	40 FEET
100	160 FEET
50 OR LESS	640 FEET

WARNING: * THE VENT LINE MUST TERMINATE IN AN AREA WHERE GAS FUMES CANNOT CAUSE DAMAGE OR INJURY TO PERSONNEL. DO NOT TERMINATE THE VENT LINE AT A LOCATION ROUTINELY USED BY PERSONNEL SUCH AS WORK AREAS OR PATHWAYS NOR NEAR WINDOWS OR VENTILATION SYSTEM INTAKES.

▲ CHLORINE CYLINDERS MUST BE SECURED IN SUCH A MANNER (e.g. CHAIN) AS TO PREVENT THEIR BEING KNOCKED OVER.

DEWATERING DATA: IF POINT OF APPLICATION CANNOT BE LOCATED BETWEEN VALVES, THE USE OF A CORPORATION COCK TYPE MAIN CONNECTION IS RECOMMENDED TO PERMIT SERVICING THE INJECTOR.

VENT DATA: RUN VENT TUBING TO OUTSIDE ATMOSPHERE WITH OUTER END POINTED DOWN, AVOID TRAPS, ATTACH SCREEN.

- NOTE:**
- ⊗ NOT FURNISHED BY EVOQUA WATER TECHNOLOGIES
 - ⊠ ACCESSORY ITEM FURNISHED ONLY IF SPECIFICALLY LISTED IN QUOTATION AND AS CHECKED ON THIS DRAWING.
 - ◆ UNATTENDED CHLORINE CONTAINERS AND CHLORINATION EQUIPMENT SHOULD BE MONITORED FOR LEAKS BY ONE OR MORE CHLORINE DETECTORS WHICH RESPOND QUICKLY TO THE PRESENCE OF CHLORINE IN AMBIENT AIR.

Wallace & Tiernan[®]
an EVOQUA brand

Germany:
+49 8221 9040
wtger@evoqua.com

United Kingdom:
+44 1732 771777
info.uk.@evoqua.com

USA:
+1 856 507 9000
wtus@evoqua.com

Canada:
+1 905 944 2800
canadacustomerservice@evoqua.com

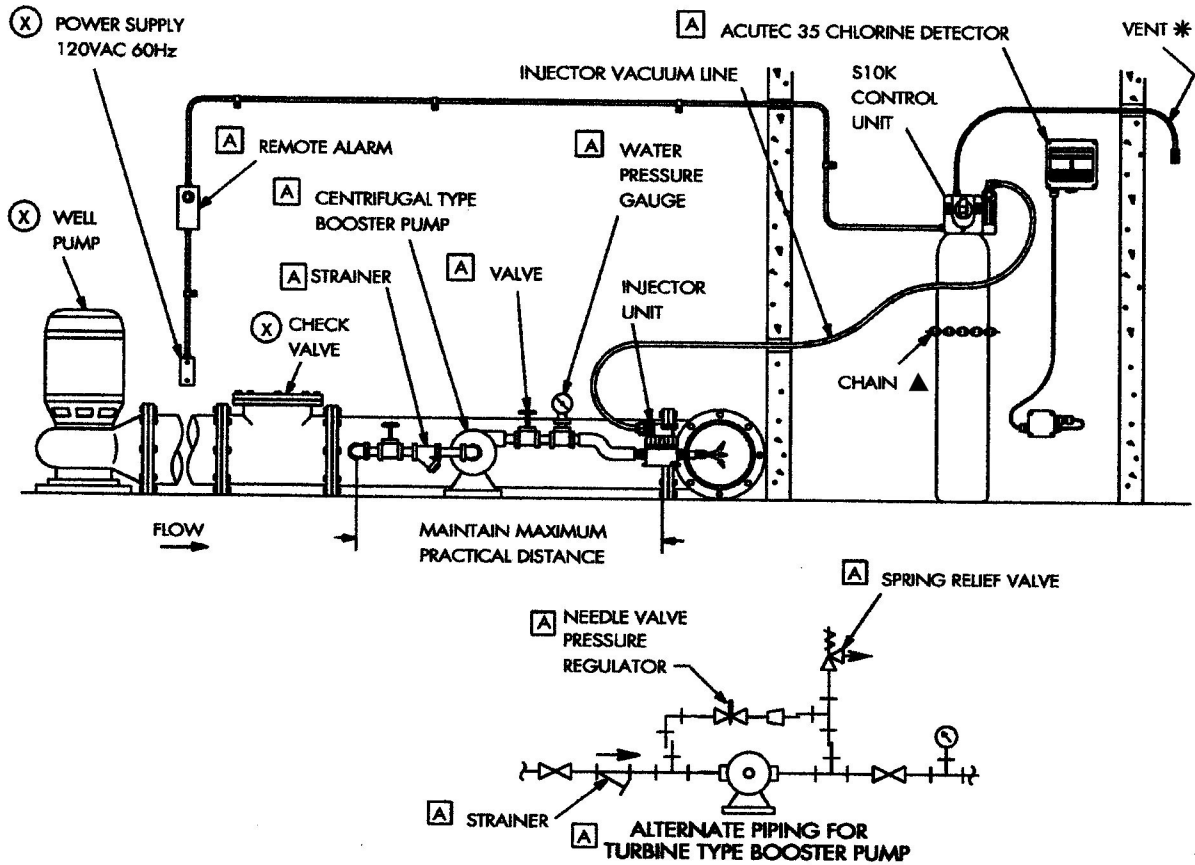
Singapore:
+65 6830 7100
infosg@evoqua.com

Australia:
+61 (0) 3 8720 6597
info.au@evoqua.com

Typical Installation
WT.025.200.216.IE.CN.0714

S10K Chlorinator

Water Plant Application



WARNING: * THE VENT LINE MUST TERMINATE IN AN AREA WHERE GAS FUMES CANNOT CAUSE DAMAGE OR INJURY TO PERSONNEL. DO NOT TERMINATE THE VENT LINE AT A LOCATION ROUTINELY USED BY PERSONNEL SUCH AS WORK AREAS OR PATHWAYS NOR NEAR WINDOWS OR VENTILATION SYSTEM INTAKES.

▲ CHLORINE CYLINDERS MUST BE SECURED IN SUCH A MANNER (e.g. CHAIN) AS TO PREVENT THEIR BEING KNOCKED OVER.

DEWATERING DATA: IF POINT OF APPLICATION CANNOT BE LOCATED BETWEEN VALVES, THE USE OF A CORPORATION COCK TYPE MAIN CONNECTION IS RECOMMENDED TO PERMIT SERVICING THE INJECTOR.

VENT DATA: RUN VENT TUBING TO OUTSIDE ATMOSPHERE WITH OUTER END POINTED DOWN. ATTACH SCREEN.

NOTE: (X) NOT FURNISHED BY EVOQUA WATER TECHNOLOGIES

(A) ACCESSORY ITEM FURNISHED ONLY IF SPECIFICALLY LISTED IN QUOTATION AND AS CHECKED ON THIS DRAWING.

Wallace & Tiernan[®]

an EVOQUA brand

Germany:
+49 8221 9040
wtger@evoqua.com

United Kingdom:
+44 1732 771777
info.uk.@evoqua.com

USA:
+1 856 507 9000
wtus@evoqua.com

Canada:
+1 905 944 2800
canadacustomerservice
@evoqua.com

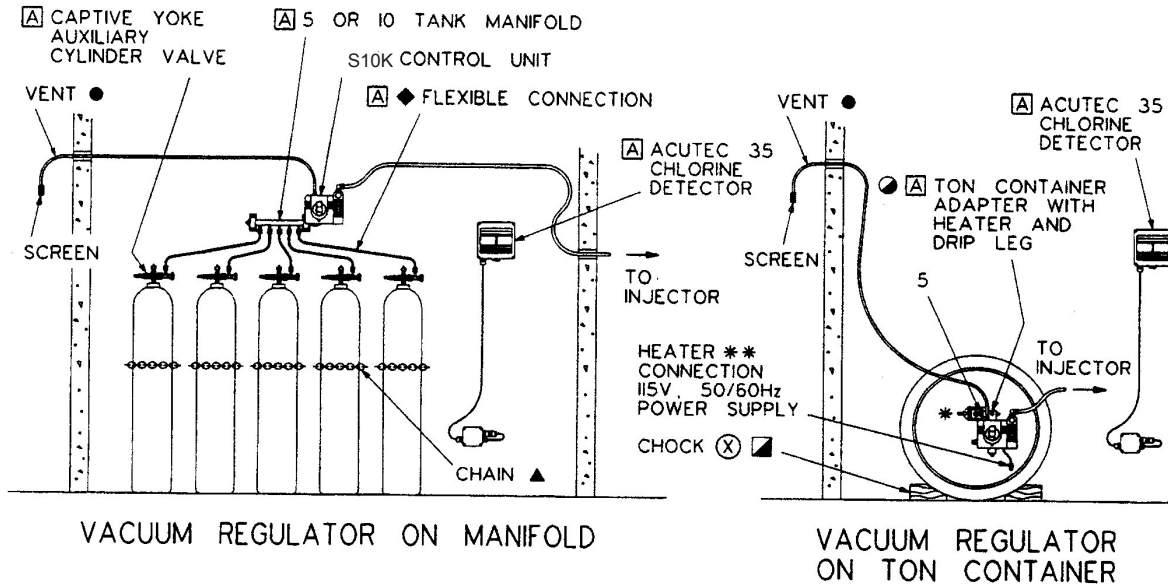
Singapore:
+65 6830 7100
infosg@evoqua.com

Australia:
+61 (0) 3 8720 6597
info.au@evoqua.com

Typical Installation
WT.025.200.218.IE.CN.0714

S10K Chlorinator

Manifold and Ton Container Mounting



- WARNING:**
- THE VENT LINE MUST TERMINATE IN AN AREA WHERE GAS FUMES CANNOT CAUSE DAMAGE OR INJURY TO PERSONNEL. DO NOT TERMINATE THE VENT LINE AT A LOCATION ROUTINELY USED BY PERSONNEL, SUCH AS WORK AREAS OR PATHWAYS NOR NEAR WINDOWS OR VENTILATION SYSTEM INTAKES.
 - DRIP LEG MAY CONTAIN LIQUID OR GAS UNDER HIGH PRESSURE TO PREVENT POSSIBLE SEVERE PERSONAL INJURY OR EQUIPMENT DAMAGE. CLOSE CONTAINER VALVE AND EVACUATE COMPLETE SYSTEM BEFORE DISCONNECTING GAS SUPPLY CONTAINER OR DISASSEMBLING UNIT.
- CAUTION:**
- * FOR GAS WITHDRAWAL, CONNECTION MUST BE MADE TO UPPER VALVE AS ILLUSTRATED.
 - ⊗ NOT FURNISHED BY EVOQUA WATER TECHNOLOGIES
 - ▲ CHLORINE CYLINDERS MUST BE SECURED IN SUCH A MANNER (e.g. CHAIN) AS TO PREVENT THEIR BEING KNOCKED OVER.
 - ▣ TON CONTAINERS MUST BE SECURED IN SUCH A MANNER (e.g. CHAIN) AS TO PREVENT THEIR BEING ROLLED OUT OF PLACE.
 - Ⓐ ACCESSORY ITEM FURNISHED ONLY IF SPECIFICALLY LISTED IN QUOTATION AND AS CHECKED ON THIS DRAWING.
 - ◆ SPECIFY LENGTH WHEN ORDERING.
 - ** 230 VOLT 50/60Hz HEATER OPTIONAL.
- VENT DATA:** RUN VENT TUBING TO OUTSIDE ATMOSPHERE WITH OUTER END POINTED DOWN; AVOID TRAPS; ATTACH SCREEN.

Wallace & Tiernan[®]
an EVOQUA brand

Germany:
+49 8221 9040
wtger@evoqua.com

United Kingdom:
+44 1732 771777
info.uk.@evoqua.com

USA:
+1 856 507 9000
wtus@evoqua.com

Canada:
+1 905 944 2800
canadacustomerservice
@evoqua.com

Singapore:
+65 6830 7100
infosg@evoqua.com

Australia:
+61 (0) 3 8720 6597
info.au@evoqua.com

Typical Installation
WT.025.200.220.IE.CN.0714