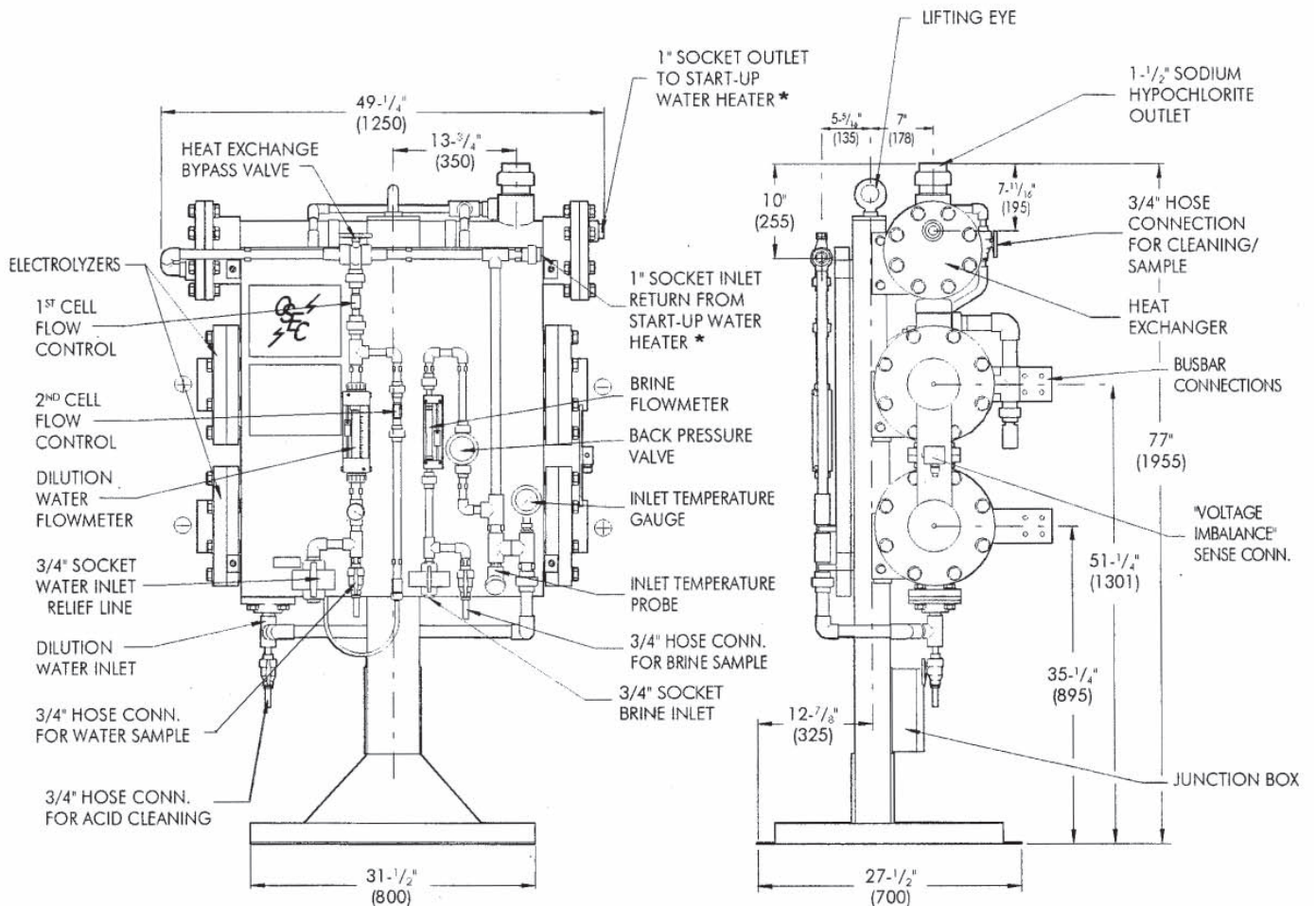


OSEC® System B2-200

Electrolyzer Skid Assembly - Capacity: 310 to 500 PPD



NOTES: () DIMENSIONS IN MM

* OPTIONAL - REQUIRED FOR LOW WATER TEMPERATURE

Germany:
+49 8221 9040
wtger@evoqua.com

United Kingdom:
+44 1732 771777
info.uk.@evoqua.com

USA:
+1 856 507 9000
wtus@evoqua.com

Wallace & Tiernan®

an EVOQUA brand

Canada:
+1 905 944 2800
canadacustomerservice
@evoqua.com

Singapore:
+65 6830 7100
infosg@evoqua.com

Australia:
+61 (0) 3 8720 6597
info.au@evoqua.com

Dimensions

WT.085.035.100.IE.CN.0714