

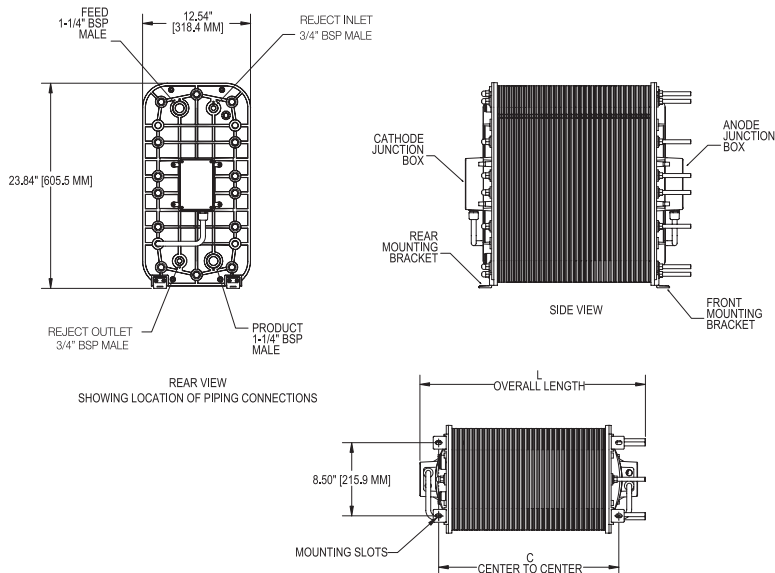


IONPURE® LX-EU HIGH PURITY CONTINUOUS ELECTRODEIONIZATION (CEDI) MODULES

IONPURE LX-EU — INDUSTRIAL CEDI MODULE (FOR USE IN EUROPEAN UNION)

The Ionpure® LX-EU CEDI modules produce deionized water through electrodeionization for a wide range of high purity applications and markets, including boiler makeup water for power plants, pharmaceutical pure water, water for hydrocarbon and chemical processing HPI/CPI and other high purity needs.

IONPURE CEDI modules provide a constant flow of high purity water without the need for downtime or chemical regeneration like conventional deionization methods.



LX-EU Series Features

- Generates mixed-bed quality deionized water without the use of chemicals
- Significantly lower operating costs, than conventional ion exchange
- No need for acid/caustic, neutralization system or exchangeable DI tanks
- Double O-ring seal guarantees leak-free operation
- Continuous production instead of batch, with consistent quality
- Superior electrical isolation
- Wide range of flow from 0.22 m³/h (1 gpm) to 7.67 m³/h (33.8 gpm) per module
- Wetted materials of construction comply with FDA 21 CFR¹ and EC Directives²

For additional information on our CEDI modules call +1 866.876.3340 or visit our web site at www.ionpure.com.

¹ United States FDA, Title 21 of the Code of Federal Regulations (CFR 21) as safe to use in contact with food

² Approximation of the laws of the Member States relating to materials and articles intended to come into contact with foodstuffs

OPERATING ENVIRONMENT

Installation should be indoors with no direct sunlight and should have a maximum ambient temperature of 113°F (45°C).

QUALITY ASSURANCE STANDARDS

CE marked. Each module is factory tested to meet strict industry standards and is manufactured in an ISO 9001 and ISO 14000 quality and environmental management system.

Halal Certification. All Ionpure modules are manufactured in accordance with the Islamic Food and Nutrition Council of America standards (IFANCA), and will carry the Crescent M Halal logo.

Typical Module Performance

Operating Parameters	
Recovery	90 - 95%
Pressure Drop Range at Nominal Flow	25 -37 psi (1.7 - 2.5 Bar)
DC Voltage	0 - 300
DC Amperage	1.0 - 6.0
Product Water Quality	
Product Resistivity	Minimum Flow > 17 Megohm-cm** Nominal Flow > 15 Megohm-cm** Maximum Flow > 7 Megohm-cm**
Silica (SiO ₂) Removal	90 - 99%, depending on feed conditions

*Actual performance may be determined using the IP-Pro projection tool available from Ionpure.

** Performance based on maximum Feed Water Conductivity Equivalent (40 µS/cm)

LX-EU FLOW RANGE AND WEIGHTS

Ordering Part #	Model #	Minimum Flow Rate m ³ /h (gpm)	Nominal Flow Rate m ³ /h (gpm)	Maximum Flow Rate m ³ /h (gpm)	Shipping Weight kg [†] (lbs)	Operating Weight kg (lbs)
W3T387617	IP-LXM4EU-4	0.22 (1.0)	0.45 (2.0)	0.68 (3.0)	59 (130)	31 (69)
W3T387618	IP-LXM10EU-4	0.57 (2.5)	1.13 (5.0)	1.70 (7.5)	78 (171)	51 (113)
W3T387597	IP-LXM18EU-4	1.02 (4.5)	2.04 (9.0)	3.06 (13.5)	99 (217)	74 (163)
W3T387598	IP-LXM24EU-4	1.36 (6.0)	2.73 (12.0)	4.09 (18.0)	115 (254)	92 (203)
W3T387600	IP-LXM30EU-4	1.70 (7.5)	3.40 (15.0)	5.11 (22.5)	132 (291)	110 (243)
W3T387621	IP-LXM45EU-4	2.57 (11.3)	5.11 (22.5)	7.67 (33.75)	205 (451)	157 (345)

[†] Includes shipping crate

Feed Water Specifications

Feed Water Conductivity Equivalent, including CO ₂ and Silica	< 40 µS/cm
Feed Water Source	RO permeate
Temperature	41 - 113°F (5 - 45°C)
Inlet Pressure	≤ 100 psi (6.9 bar)
Maximum Total Chlorine (as Cl ₂)	< 0.02 ppm
Iron (as Fe)	< 0.01 ppm
Manganese (as Mn)	< 0.01 ppm
Sulfide (S ²⁻)	< 0.01 ppm
pH	4 - 11
Total Hardness (as CaCO ₃)	< 1.0 ppm
Dissolved Organics (TOC as C)	< 0.5 ppm
Silica (SiO ₂)	< 1.0 ppm

Physical Specifications

Item Number	Dimensions	
	L +/- 0.25" (6.4 mm)	C +/- 0.13" (3.2 mm)
LXM04EU	10.12" (257 mm)	5.78" (146.8 mm)
LXM10EU	13.69" (347.7 mm)	9.28" (235.7 mm)
LXM18EU	19.22" (488.2 mm)	13.93" (353.8 mm)
LXM24EU	23.69" (601.7 mm)	17.43" (442.7 mm)
LXM30EU	27.42" (696.5 mm)	20.92" (531.3 mm)
LXM45EU	35.72" (907.3 mm)	29.44" (747.7 mm)



210 Sixth Avenue, Suite 3300, Pittsburgh, PA 15222

+1 (866) 926-8420 (toll-free) +1 (978) 614-7111 (toll)

www.ionpure.com

Ionpure is a trademark of Evoqua Water Technologies LLC, its subsidiaries or affiliates, in some countries. All other trademarks are those of their respective owners.

All information presented herein is believed reliable and in accordance with accepted engineering practices. Evoqua makes no warranties as to the completeness of this information. Users are responsible for evaluating individual product suitability for specific applications. Evoqua assumes no liability whatsoever for any special, indirect or consequential damages arising from the sale, resale or misuse of its products.

© 2020 Evoqua Water Technologies LLC Subject to change without notice ION-LXEU-DS-0620