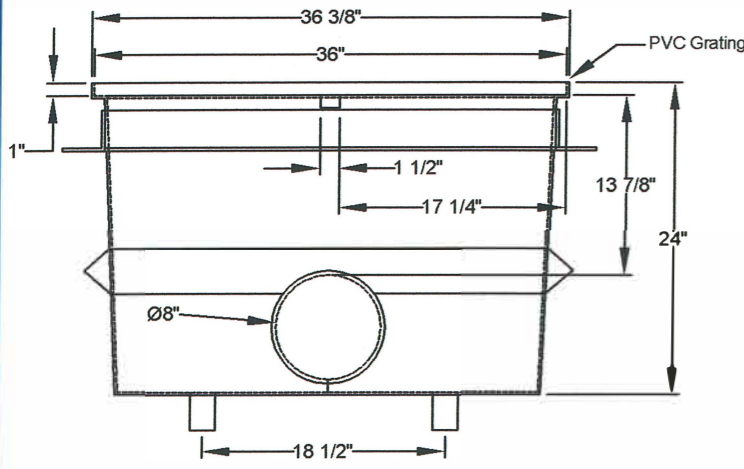


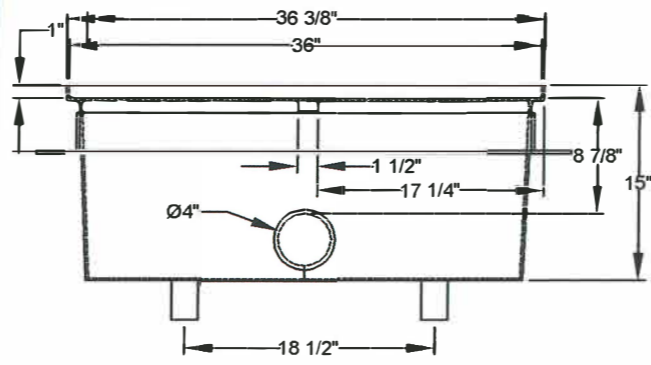
FG Sump & Grate

Lawson Aquatics™ - COC - FIBERGLASS SUMP & GRATE - PART # FI-SG-1836



24" Deep Sump & Grate
FI-SG-1836-24

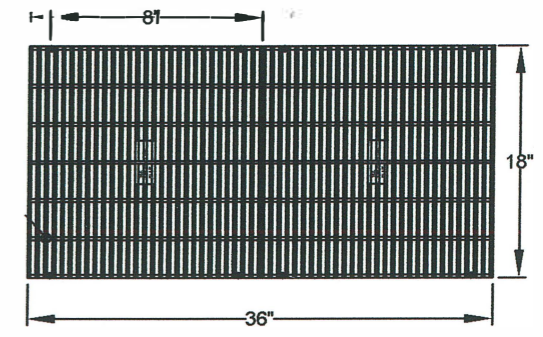
- ⊕ **Figure - 2 Compliance**
Criteria Listed Below
- ⊕ **Max. Side Conn. Size**
8" PVC Female Adaptor
- ⊕ **Max. Bottom Conn. Size**
14" PVC Coupling
- ⊕ **Side Conn. Locations**
Approved On All Four Sides
- ⊕ **Multiple Conn. Locations**
Approved For Multiple Connections
- ⊕ **Hydrostatic Relief Valves**
(2) 2" Female Adaptors
- ⊕ **Suction Outlet Cover**
(2) 18" x18" NSF Certified Grates



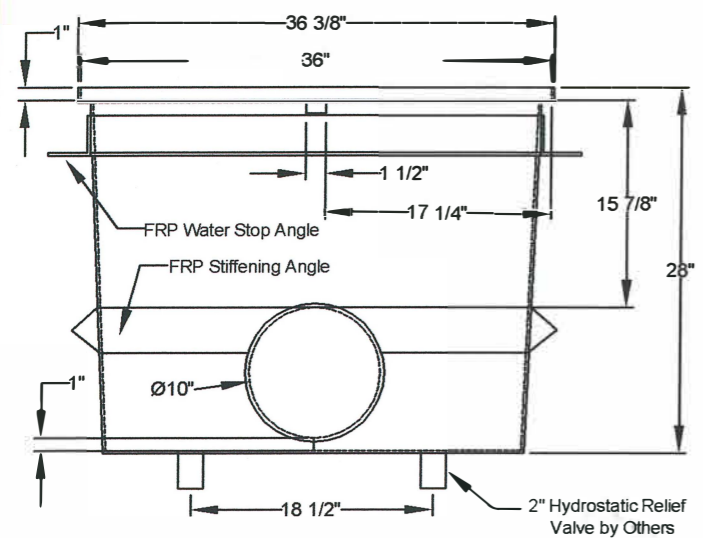
15" Deep Sump & Grate
FI-SG-1836-15

- ⊕ **Figure - 2 Compliance**
Criteria Listed Below
- ⊕ **Max. Side Conn. Size**
4" PVC Female Adaptor
- ⊕ **Max. Bottom Conn. Size**
8" PVC Female Adaptor
- ⊕ **Side Conn. Locations**
Approved On All Four Sides
- ⊕ **Multiple Conn. Locations**
Approved For Multiple Connections
- ⊕ **Hydrostatic Relief Valves**
(2) 2" Female Adaptors
- ⊕ **Suction Outlet Cover**
(2) 18" x18" NSF Certified Grates

OPEN AREA OF GRATING 54%
GRATING IS VGB COMPLIANT CERTIFIED "UN-BLOCKABLE"
GRATING IS NSF CERTIFIED - CONFORMS TO ANSI/APSP-16
2011 GRATING FLOW RATE = 2,080 GPM (FLOOR) 1,496 WALL
FLOOR FLOW RATE @1.5 F.P.S. = 1,638 GPM
CALCS. BASED ON (2) 18X18 GRATES

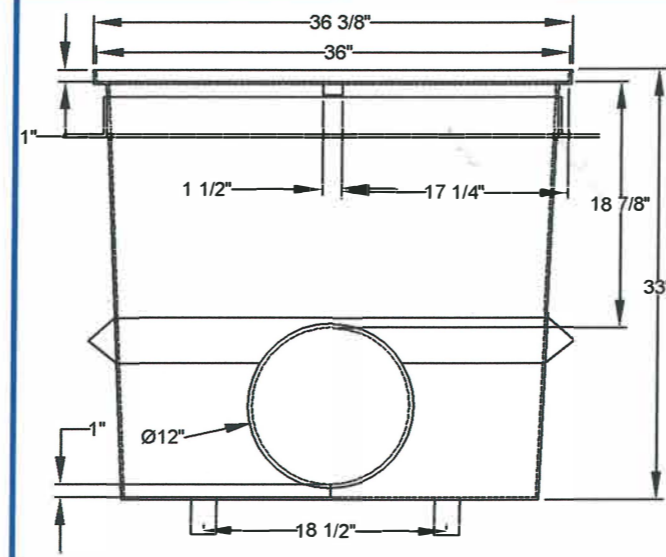


GRATING - PVC



28" Deep Sump & Grate
FI-SG-1836-28

- ⊕ **Figure - 2 Compliance**
Criteria Listed Below
- ⊕ **Max. Side Conn. Size**
10" PVC Coupling
- ⊕ **Max. Bottom Conn. Size**
16 PVC Coupling
- ⊕ **Side Conn. Locations**
Approved On All Four Sides
- ⊕ **Multiple Conn. Locations**
Approved For Multiple Connections
- ⊕ **Hydrostatic Relief Valves**
(2) 2" Female Adaptors
- ⊕ **Suction Outlet Cover**
(2) 18" x18" NSF Certified Grates

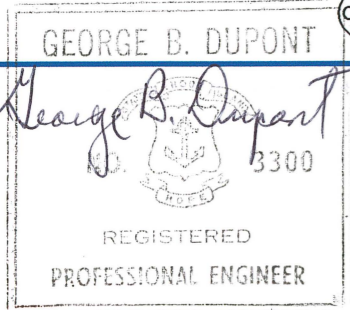


33" Deep Sump & Grate
FI-SG-1836-33

- ⊕ **Figure - 2 Compliance**
Criteria Listed Below
- ⊕ **Max. Side Conn. Size**
12" PVC Coupling
- ⊕ **Max. Bottom Conn. Size**
18" PVC Coupling
- ⊕ **Side Conn. Locations**
Approved On All Four Sides
- ⊕ **Multiple Conn. Locations**
Approved For Multiple Connections
- ⊕ **Hydrostatic Relief Valves**
(2) 2" Female Adaptors
- ⊕ **Suction Outlet Cover**
(2) 18" x18" NSF Certified Grates

CERTIFICATE - of - COMPLIANCE

- 1) This COC certifies Lawson Aquatics 18x36 sump and suction outlet cover assembly configurations that were not included in Lawson's NSF certification. Lawson's NSF certification for this product is limited to specific connection sizes installed at fixed locations and does not cover sumps with alternate and/or multiple port locations. This PE stamped COC provides Factory Certification for the range alternate and multiple connection sizes shown here within.
- 2) There are four sump depths represented on this COC. Each one has a stated "maximum" connection size for the side and one for the bottom. The sizes are required to maintain **Figure-2 compliance** - which dictates that the distance between the top of the connection and the bottom of the grating cannot be less than 1.5 x the nominal pipe diameter.
- 3) Suction pipe velocity shall not exceed 6 f.p.s. for any outlet connected to the sump assemblies shown here within. The total flow-rates shall not exceed the rating of the affixed suction outlet covers, or the rate allowed by local codes.
- 4) Sumps are designed and fabricated to the APSP-16 2.3.1 Figure 2 standard.
- 5) Manufacturer recommends grate replacement after (10) years



CERTIFICATE-OF-COMPLIANCE
Certified by George Dupont, PE
RI Registered "Professional Engineer"

Lawson Aquatic product FI-SG-1836
manufactured by Neptune-Benson, LLC,
is certified to comply with the
standards listed here within
providing all criteria stated and identified
within this document is adhered to.

Disclaimer: Alterations or modifications made to factory certified Sump assemblies in the field - without express written consent of the manufacturer - will void the Sump's associated Certificate-of-Compliance.

Disclaimer: Neptune Benson, LLC assumes no liability in cases where state or local codes will not accept this Certificate of Compliance. In these instances it is the responsibility of the pool contractor to ensure the Sump meets all applicable Federal, State and Local codes and requirements.

NO.	DATE	BY	DESCRIPTION
REVISIONS			

DOCUMENT	FI-SG-1836 - CERTIFICATE OF COMPLIANCE				
PRODUCT	FIBERGLASS SUMP & PVC GRATE ASSEMBLY				
GRATING	18x18 GRATING IS NSF LISTED & VGB COMPLIANT				
DRAWN	TWO	PART NO.	REV.	MATERIAL	
DATE	2/21/13	FI-SG-1836	-	PVC & FIBERGLASS	
CHECKED	SJH				
DATE	2/21/13				

⊕ ⊕
DO NOT SCALE PRINT

PE STAMP