



**eVOQUA**  
WATER TECHNOLOGIES



## **CIP (CLEAN-IN-PLACE) SERIES CLEANING SKIDS**

Evoqua Water Technologies CIP Cleaning Skids are designed for on-site cleaning of reverse osmosis (RO) systems. They can accommodate cleaning flow rates of 30 - 225 gallons per minute (gpm), and are compatible with TFC or CA membrane elements. These factory assembled, tested and field-ready cleaning skids offer a convenient and economical way to maximize your RO investment.

### **CIP Series Features**

- 304SS centrifugal pump
- LPE (linear polyethylene) chemical tank with cover
- Recirculation valve for chemical mixing
- Low feed pressure switch for pump protection
- Tank drain valve
- SCH 80 PVC piping
- Polyurethane-coated steel frame
- Cartridge filtration
- Flowmeter
- Temperature indicator
- Pump discharge pressure indicator
- NEMA 4 electrical enclosures:
  - U.L.
  - Pump motor disconnect switch
  - Power on light
  - Pump run light
  - Low tank level alarm

### **CIP Series Benefits**

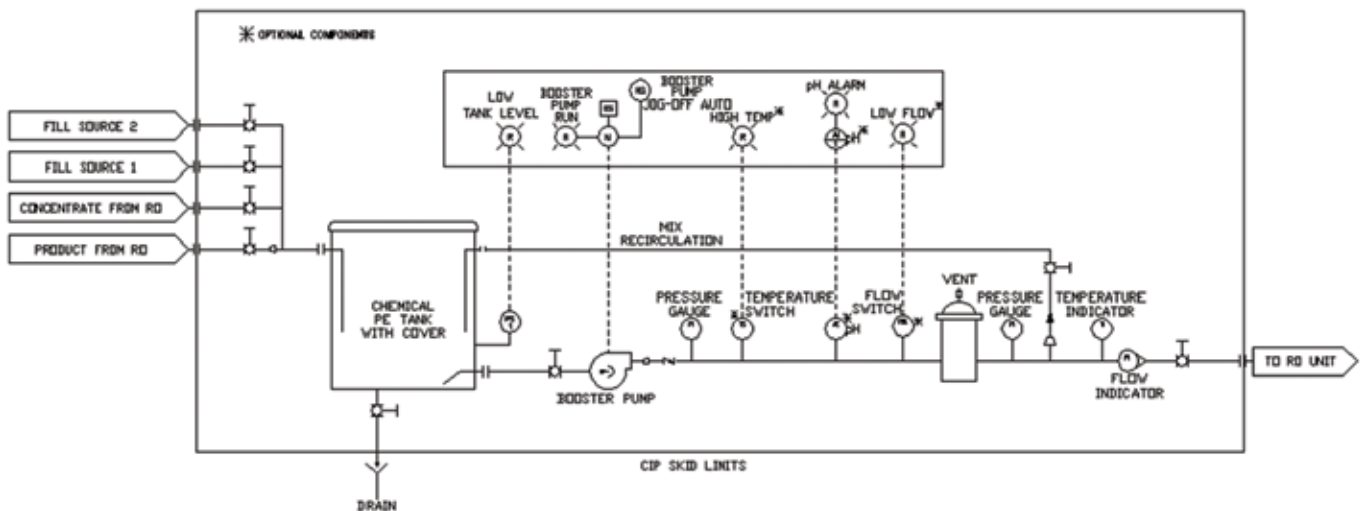
- Portability for quick and easy on-site cleaning (models CIP-30 and 60)
- Rugged construction that stands up to all cleaning chemicals
- Recommended by the membrane element manufacturers

## SYSTEM SPECIFICATIONS

Model Number	Flow Rate at 60 psi	Tank Capacity (gallons)	Connection Size	Base	System Dimensions H x W x D*		Operating Weight Industrial		Electrical Requirements	
					inch	cm	lb	(kg)	Pump	Electrical
CIP-30	30	90	1-1/2"	Mobile	64 x 41 x 72	26 x 16 x 28	1250	(567)	5 HP	240/480V/60
CIP-60	60	200	2"	Mobile	69 x 41 x 72	27 x 16 x 28	2600	(1179)	5 HP	240/480V/60
CIP-90	90	275	2"	Fixed	69 x 51 x 90	27 x 20 x 35	3500	(1588)	10 HP	240/480V/60
CIP-150	150	440	3"	Fixed	69 x 64 x 106	27 x 25 x 42	6000	(2722)	10 HP	240/480V/60
CIP-225	225	800	3"	Fixed	78 x 78 x 128	31 x 31 x 50	9500	(4309)	15 HP	240/480V/60

\*Dimensions are for skid-mounted equipment only, additional space for portable ion exchange units is required.

## PROCESS AND INSTRUMENTATION DIAGRAM



## CLEANING SKID OPTIONS

### Description

pH Monitor

High Temperature Switch

Flow Switch

1" x 25' Hose Kit

1-1/2" x 25' Hose Kit

2" x 25' Hose Kit

3" x 25' Hose Kit



210 Sixth Avenue, Suite 3300, Pittsburgh, PA 15222

+1 (866) 926-8420 (toll-free) +1 (978) 614-7233 (toll) [www.evoqua.com](http://www.evoqua.com)

All information presented herein is believed reliable and in accordance with accepted engineering practices. Evoqua makes no warranties as to the completeness of this information. Users are responsible for evaluating individual product suitability for specific applications. Evoqua assumes no liability whatsoever for any special, indirect or consequential damages arising from the sale, resale or misuse of its products.

© 2017 Evoqua Water Technologies LLC Subject to change without notice PWS-CIP-DS-0717